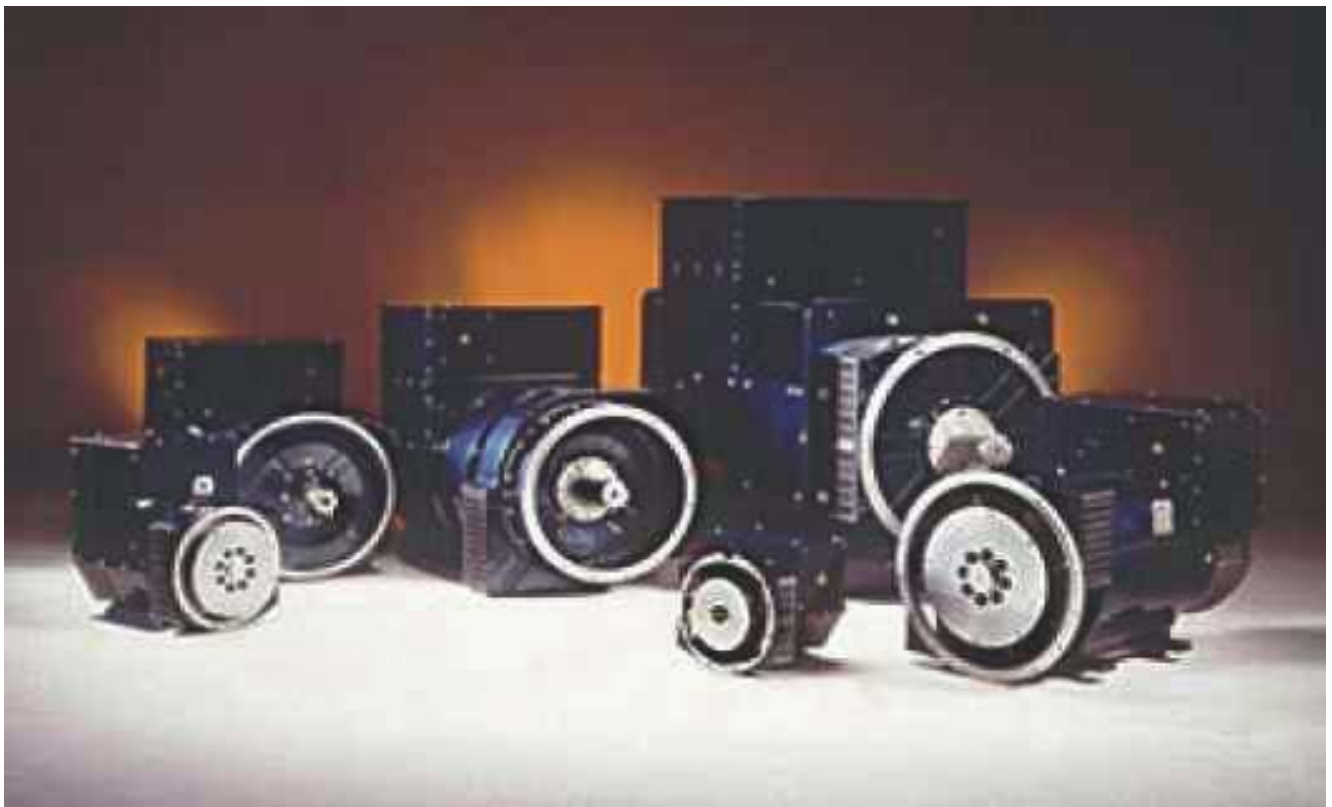




**Sales and
Service
India**

STAMFORD[®]



PARTS CATALOG

For Entire Stamford Range with Exploded View

- FOREWORD -

Dear All,

1st Feb 2007

It gives me an immense pleasure to hand over this bulletin to you.

So far, field has faced great difficulty with Stamford (Newage) Alternators in terms of identifying part numbers. In absence of compiled information on part / part numbers related to alternator, it was a tough time for field to either identify / order correct part. Therefore with the intention of reducing this difficulty, the task of creating a dedicated Parts Catalog for Stamford Alternators and Spares covering all models being used with Cummins engines was undertaken.

To accomplish this task, input from Stamford and data on Stamford from our own databank was taken. This data was mined to come out with part numbers which can be used easily by our all field people. All efforts have been made to make the Catalog user friendly. Attempts have also been made to provide the latest and updated information.

The browsing of the Catalog is simple. If you know the frame of the alternator, use Index page 2. If you know the rating of the Alternator, go to page 44-46 to know the frame and then use index page 2. If you know the PN of the alternator/ its component, see page 47-48 to reach to the correct part. We are sure, this manual will help you get up-to-date information on Alternators to help you serve our customer better.

I would like to give our special thanks to Mr. Pramod Vaidya of Cummins Generator Technologies (Newage) and Mr. Bhalchandra Jadhav of Customer Support Dept for their valuable contribution in making of this Catalog.

Should you have any query / suggestion regarding the catalog, please feel free to contact either undersigned (Cell# 9850996156) or Mr. Bhalchandra Jadhav (Cell# 9922411681).

Thanking you.

Yours faithfully,

Vivek V. Joshi
Sr. Manager -Tech Cell
Customer Support
Cummins Sales and Service (I) Limited
Pune 411 038.

SAFETY PRECAUTIONS

Before testing the generator set, read the Generating Set Installation Manual and the Fault Finding Manual carefully and become familiar with it and the equipment.

SAFE AND EFFICIENT OPERATION CAN ONLY BE ACHIEVED IF THE EQUIPMENT IS CORRECTLY INSTALLED, OPERATED AND MAINTAINED.

Many accidents occur because of a failure to follow fundamental rules and precautions.

ELECTRICAL SHOCK CAN CAUSE SEVERE PERSONAL INJURY OR DEATH.

- Ensure installation meets all applicable safety and local electrical codes. Have all installation performed by qualified installation technician.
- Do not operate the generator with protective covers, access covers or terminal box cover removed.
- Disable engine starting circuits before carrying out maintenance.
- Disable closing circuits and/ or place warning notices on any circuit breaker normally used for connection to the mains or other generators to avoid accidental closure.

Observe all IMPORTANT, CAUTION, WARNING and DANGER notices defined as:

Important ! Important refers to hazard or unsafe method or practice, which can result in product damage or personal injury.

Caution ! Caution refers to hazard or unsafe method or practice, which can result in product damage or personal injury.



Warning ! Warning refers to hazard or unsafe method or practice which CAN result in severe personal injury or possible death.



Danger ! Danger refers to immediate hazards which WILL result in severe personal injury or death.

Due to policy of continuous improvements, details in this Catalog which were correct at the time of printing may now be due for amendment. Information indicated must therefore not be regarded as binding.

TESTING ‘LIVE’ EQUIPMENT

It is essential that all the test instructions are regularly checked for safety and any connection leads, probes or clips are checked to ensure that they are suitable for the voltage levels being tested.

Never attempt to test a ‘LIVE’ generator unless there is another competent person present who can switch off the power supply or shut down the engine in an emergency.



Never expose ‘LIVE’ connections unless you have created a safe working area around you. Make sure you have made all other persons in the immediate area fully aware of what you are doing.

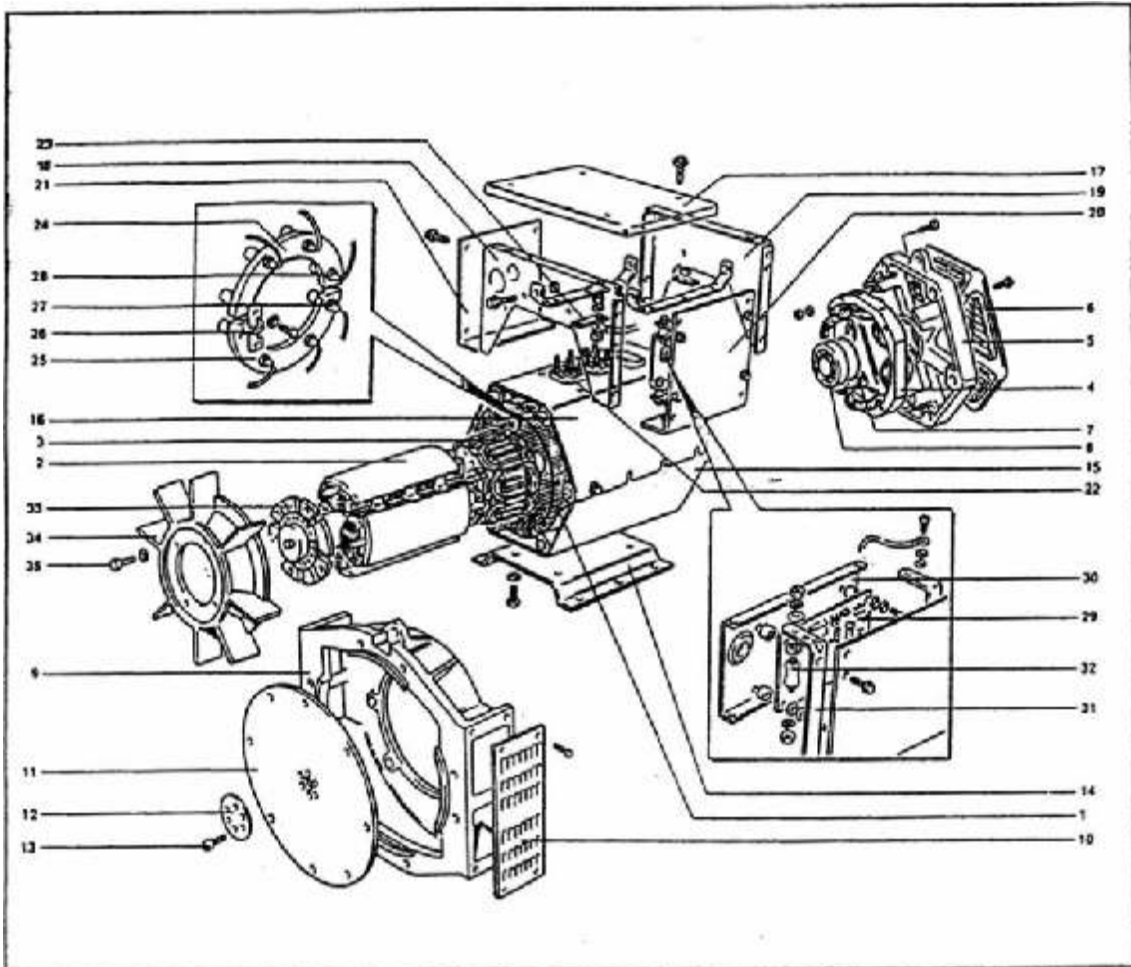
INDEX

Alternator Section	Page
1 BC164 Single Bearing.....	3-4
2 BC164 Double Bearing.....	5-6
3 BC184 Single Bearing.....	7-8
4 BC184 Double Bearing.....	9-10
5 UC224 Single Bearing.....	11-12
6 UC224 Double Bearing.....	13-14
7 UC274 Single Bearing.....	15-16
8 UC274 Double Bearing.....	17-18
9 HC434 Single Bearing.....	19-20
10 HC434 Double Bearing.....	21-22
11 HC534 Single Bearing.....	23-24
12 HC534 Double Bearing.....	25-26
13 HC634 Single Bearing.....	27-28
14 HCI634 Double Bearing.....	29-30
15 HC734 Single Bearing.....	31-32
16 HC734 Double Bearing.....	33-34
17 P7 Single Bearing.....	35-36
18 P7 Double Bearing.....	37-38

Spares Section	Page
1 Automatic Voltage Regulators & Electrical Modules.....	39
2 Rectifier Service Kits & Diodes.....	39
3 Surge Suppressors.....	39
4 Quadrature Droop Kits.....	39
5 Anti Condensation Heater Kits.....	40
6 PMG Kits.....	40
7 Bearings.....	41
8 "O" Ring for NDE Bearings.....	41
9 Transit Set.....	41
10 Single Bearing Adaptors.....	42
11 Single Bearing Couplings.....	42
12 Spacers.....	43
13 Wound Exciter Components.....	43
14 Alternator Rating and Frame size with Part No.....	44-46
15 Indexing on Part No.....	47-48

ALTERNATOR SECTION

BC164 Single Bearing Alternator Exploded View



Shown in Series 6 Arrangement

BC164 Single Bearing Alternator Parts List

Series 6

Ref.	Part Number	Description	Qty Rqd
5	AX1006408	Non Drive End Bracket	1
6	AX1002577	Non Drive End Cover	1
7	AX1002578	'O' Ring (See Note b)	1
8	AX1002579	Non Drive End Bearing	1
9	AX1001007	Drive End Bearing	1
22	AX1006328	Main Terminal Panel	2/1*
26-27-28	AX1001059	Rectifier Service Kit (See Note a)	1
26	Use AX1001059	Surge Suppressor (MOV)	1
29	AX1002581	Automatic Voltage Regulator (SX460 As Standard)	1
30-31	AX1006678	AVR Mounting Bracket Assembly**	2
32	AX1005520	Anti Vibration Mounting for AV R	4
34	AX1006428	Cooling Fan SAE 2/3/4	1
34	AX1006679	Cooling Fan SAE 5/6	1

* Two Numbers of Main Terminal Panel are required in 3 Ø Machine. Only One number of Main Terminal Panels is required in 1 Ø Machine.

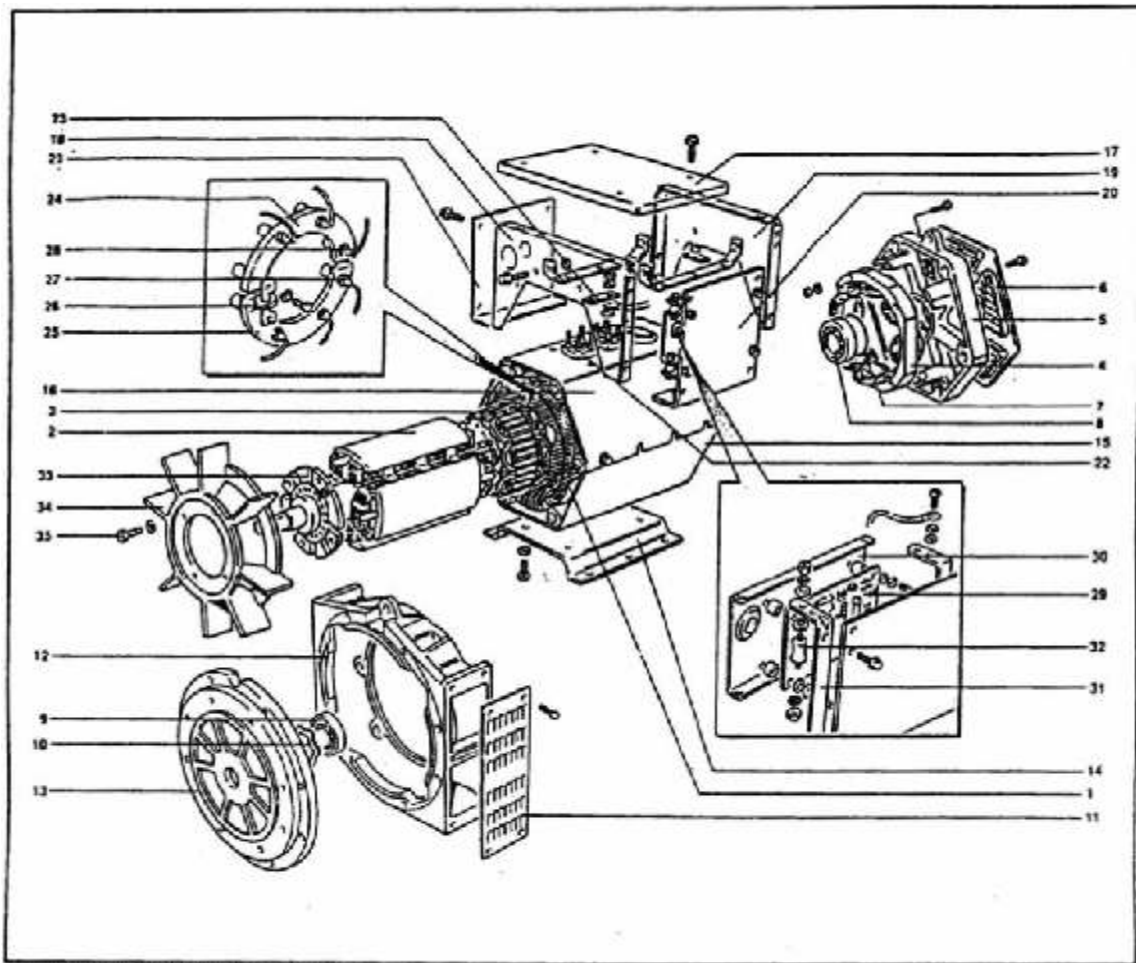
a) Rectifier Service Kit consists of:

- 1 – Surge Suppressor (Metal Oxide Varistor)
- 2 – Forward Diode Set

b) 'O' Ring must be changed whenever bearing is replaced.

c) For the parts not shown in the above list, please contact us.

BC164 Double Bearing Alternator Exploded View



Shown in Series 6 Arrangement

BC164 Double Bearing Alternator Parts List

Series 6

Ref.	Part Number	Description	Qty Rqd
5	AX1006408	Non Drive End Bracket	1
6	AX1002577	Non Drive End Cover	1
7	AX1002578	'O' Ring (See Note b)	1
8	AX1002579	Non Drive End Bearing	1
9	AX1001007	Drive End Bearing	1
22	AX1006328	Main Terminal Panel	2/1*
26-27-28	AX1001059	Rectifier Service Kit (See Note a)	1
26	Use AX1001059	Surge Suppressor (MOV)	1
29	AX1002581	Automatic Voltage Regulator (SX460 As Standard)	1
30-31	AX1006678	AVR Mounting Bracket Assembly**	2
32	AX1005520	Anti Vibration Mounting for AV R	4
34	AX1006428	Cooling Fan SAE 2/3/4	1
34	AX1006679	Cooling Fan SAE 5/6	1

* Two Numbers of Main Terminal Panel are required in 3 Ø Machine.

Only One number of Main Terminal Panels is required in 1 Ø Machine.

** AVR Mounting Bracket Assembly does not include Anti-vibration mounting, which needs to be purchased separately.

Note:

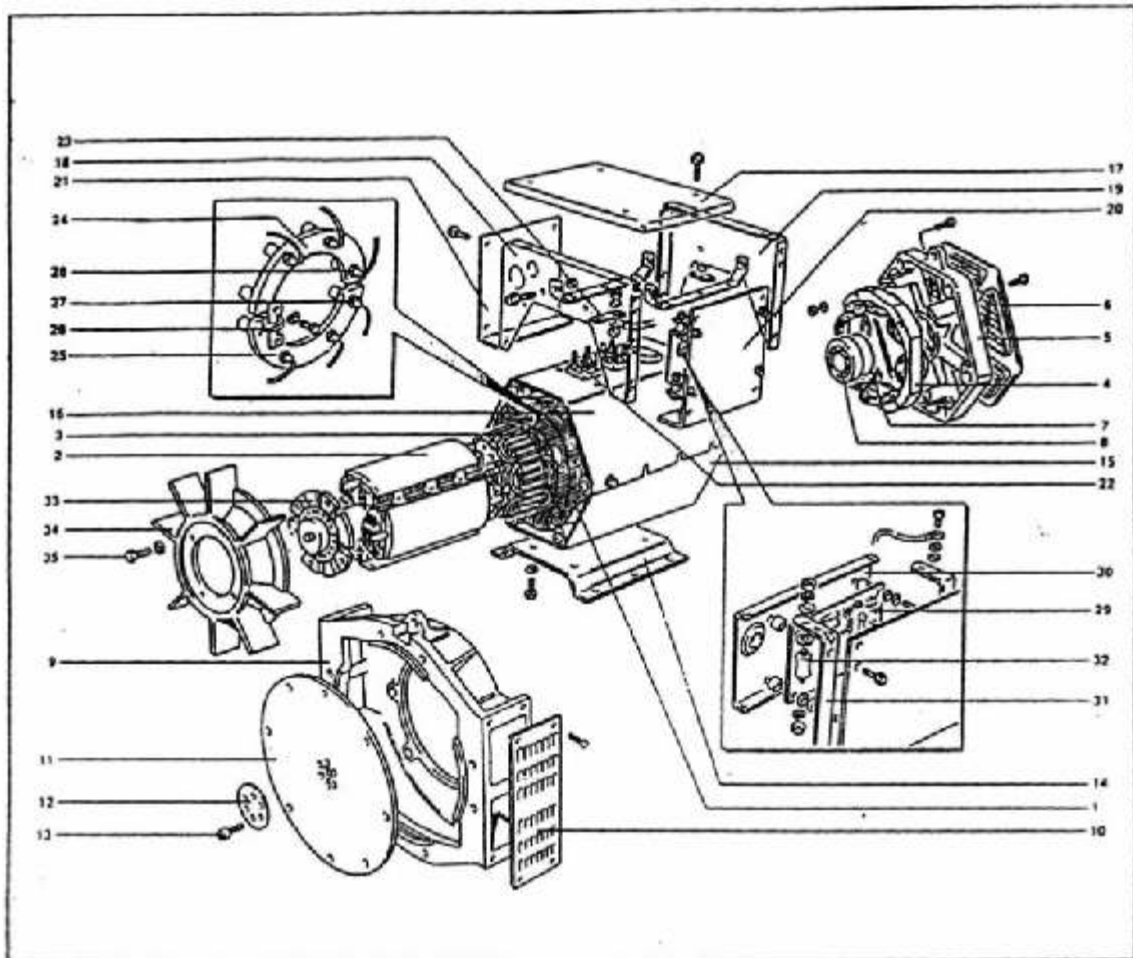
a) Rectifier Service Kit consists of:

- 1 Surge Suppressor (Metal Oxide Varistor)
- 2 Forward Diode Set
- 3 Reverse Diode Set

b) 'O' Ring must be changed whenever bearing is replaced.

c) For the parts not shown in the above list, please contact us.

BC184 Single Bearing Alternator Exploded View



Shown in Series 6 Arrangement

BC184 Single Bearing Alternator Parts List

Series 6

Ref.	Part Number	Description	Qty Rqd
5	AX1006408	Non Drive End Bracket	1
6	AX1002577	Non Drive End Cover	1
7	AX1002578	'O' Ring (See Note b)	1
8	AX1002579	Bearing Non Drive End	1
22	AX1006328	Main Terminal Panel	2/1*
26-27-28	AX1001059	Rectifier Service Kit (See Note a)	1
26	Use AX1001059	Surge Suppressor (MOV)	1
29	AX1002581	Automatic Voltage Regulator (SX460 As Standard)	1
30-31	AX1006678	AVR Mounting Bracket Assembly**	1
32	AX1005520	Anti Vibration Mounting for AVR	4
34	AX1006428	Cooling Fan SAE 2/3/4	1
34	AX1006679	Cooling Fan SAE 5/6	1

* Two Numbers of Main Terminal Panel are required in 3 Ø Machine. Only One number of Main Terminal Panels is required in 1 Ø Machine.

** AVR Mounting Bracket Assembly does not include Anti -vibration mounting, which needs to be purchased separately.

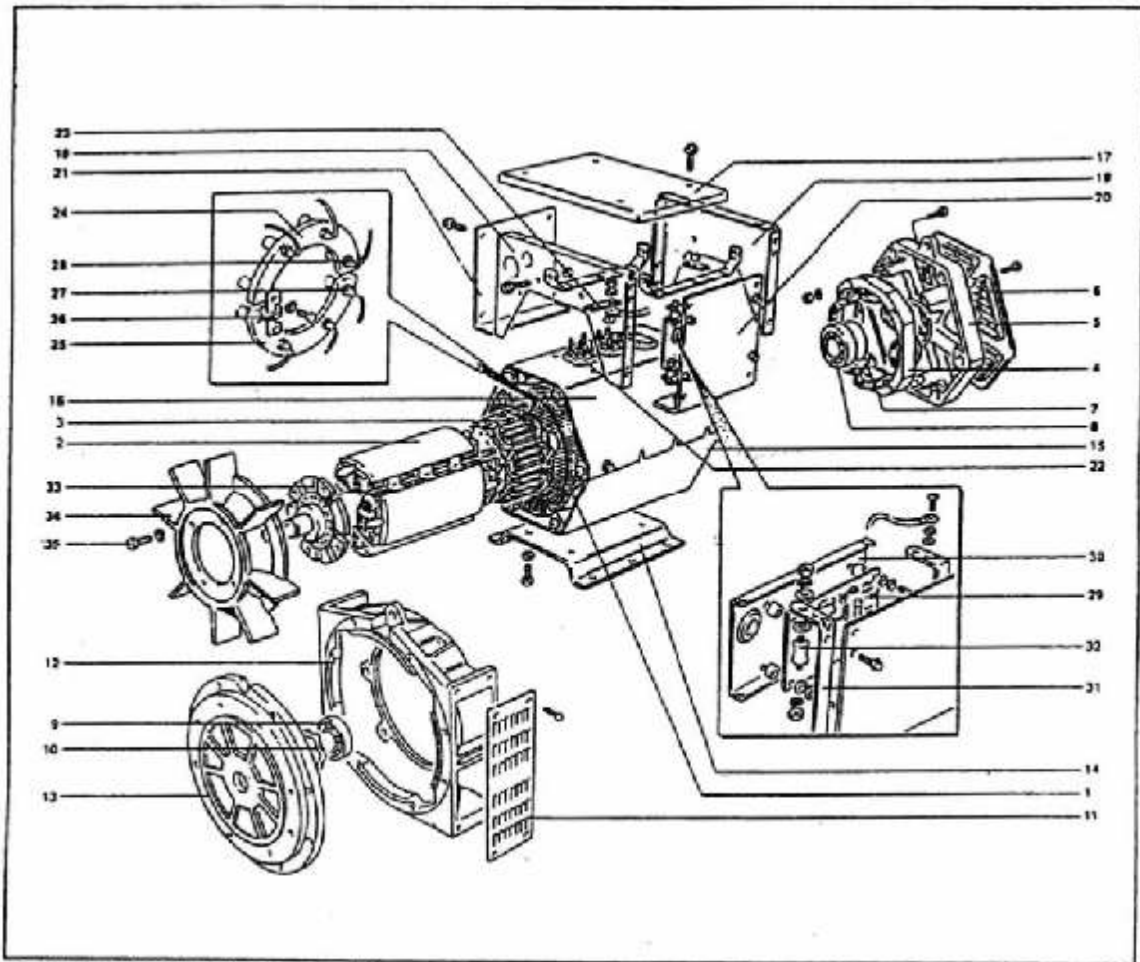
Note:

- a) Rectifier Service Kit consists of:
 - 1 – Surge Suppressor (Metal Oxide Varistor)
 - 2 – Forward Diode Set
 - 3 – Reverse Diode Set

- b) 'O' Ring must be changed whenever bearing is replaced.

- c) For the parts not shown in the above list, please contact us.

BC184 Double Bearing Alternator Exploded View



Shown in Series 6 Arrangement

BC184 Double Bearing Alternator Parts List

Series 6

Ref.	Part Number	Description	Qty Rqd
5	AX1006408	Non Drive End Bracket	1
6	AX1002577	Non Drive End Cover	1
7	AX1002578	'O' Ring (See Note b)	1
8	AX1002579	Non Drive End Bearing	1
9	AX1001007	Drive End Bearing	1
22	AX1006328	Main Terminal Panel	2/1*
26-27-28	AX1001059	Rectifier Service Kit (See Note a)	1
26	Use AX1001059	Surge Suppressor (MOV)	1
29	AX1002581	Automatic Voltage Regulator (SX460 As Standard)	1
30-31	AX1006678	AVR Mounting Bracket Assembly**	1
32	AX1005520	Anti Vibration Mounting for AVR	4
34	AX1006428	Cooling Fan SAE 2/3/4	1
34	AX1006679	Cooling Fan SAE 5/6	1

* Two Numbers of Main Terminal Panel are required in 3 Ø Machine. Only One number of Main Terminal Panels is required in 1 Ø Machine.

** AVR Mounting Bracket Assembly does not include Anti -vibration mounting, which needs to be purchased separately.

Note:

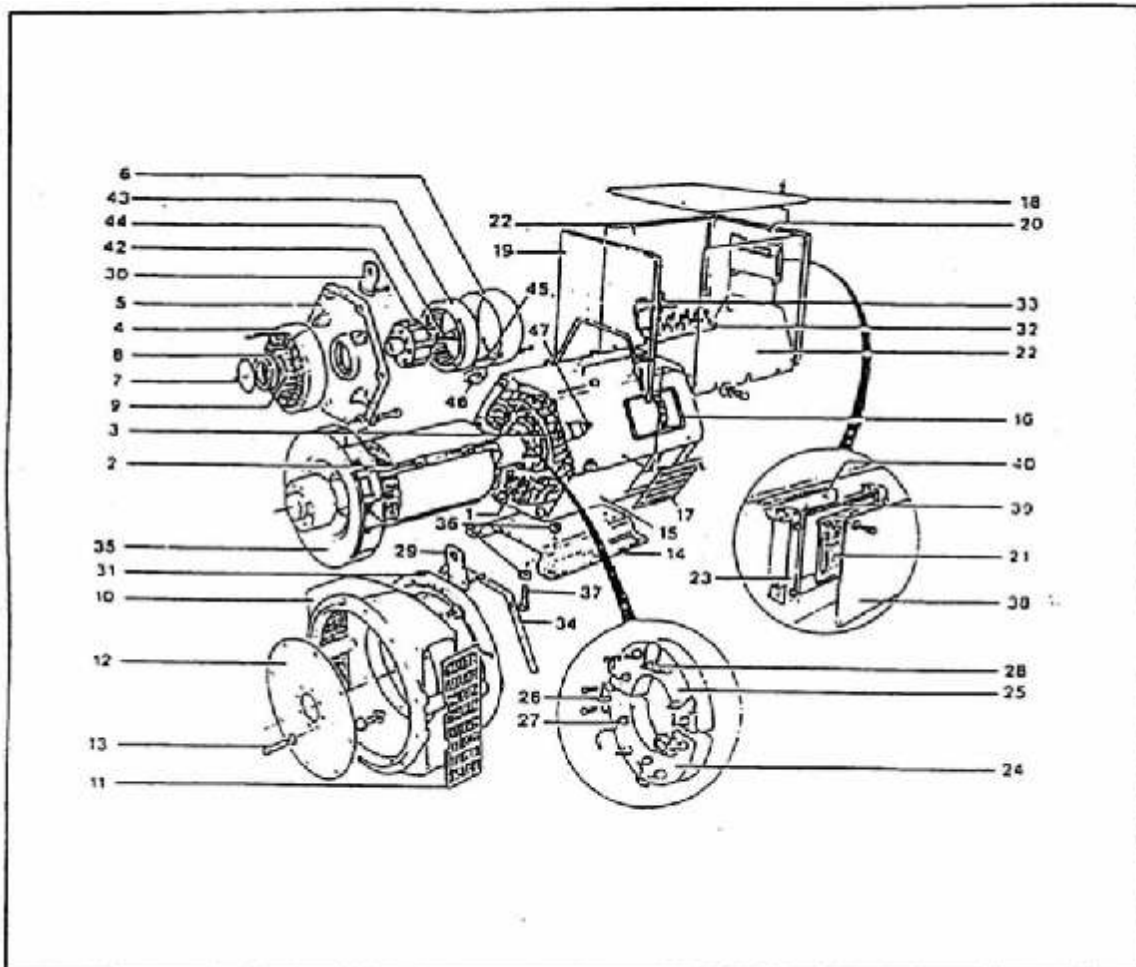
a) Rectifier Service Kit consists of:

- 1 – Surge Suppressor (Metal Oxide Varistor)
- 2 – Forward Diode Set
- 3 – Reverse Diode Set

b) 'O' Ring must be changed whenever bearing is replaced.

c) For the parts not shown in the above list, please contact us.

UC224 Single Bearing Alternator Exploded View



Shown in Series 3 Arrangement

UC224 Single Bearing Alternator Parts List

Series 4 (Self Excited)

Ref.	Part Number	Description	Qty Rqd
7	AX1006680	'O' Ring (See Note c)	1
8	AX1001007	Non Drive End Bearing	1
21	AX1001056	Automatic Voltage Regulator (SX440 As Standard)	1
26	Use AX1001059	Surge Suppressor (MOV)	1
26-27-28	AX1001059	Rectifier Service Kit (See Note a)	1
32	AX1001016	Main Terminal Panel	1
35	AX1001070	Fan, Cooling	1

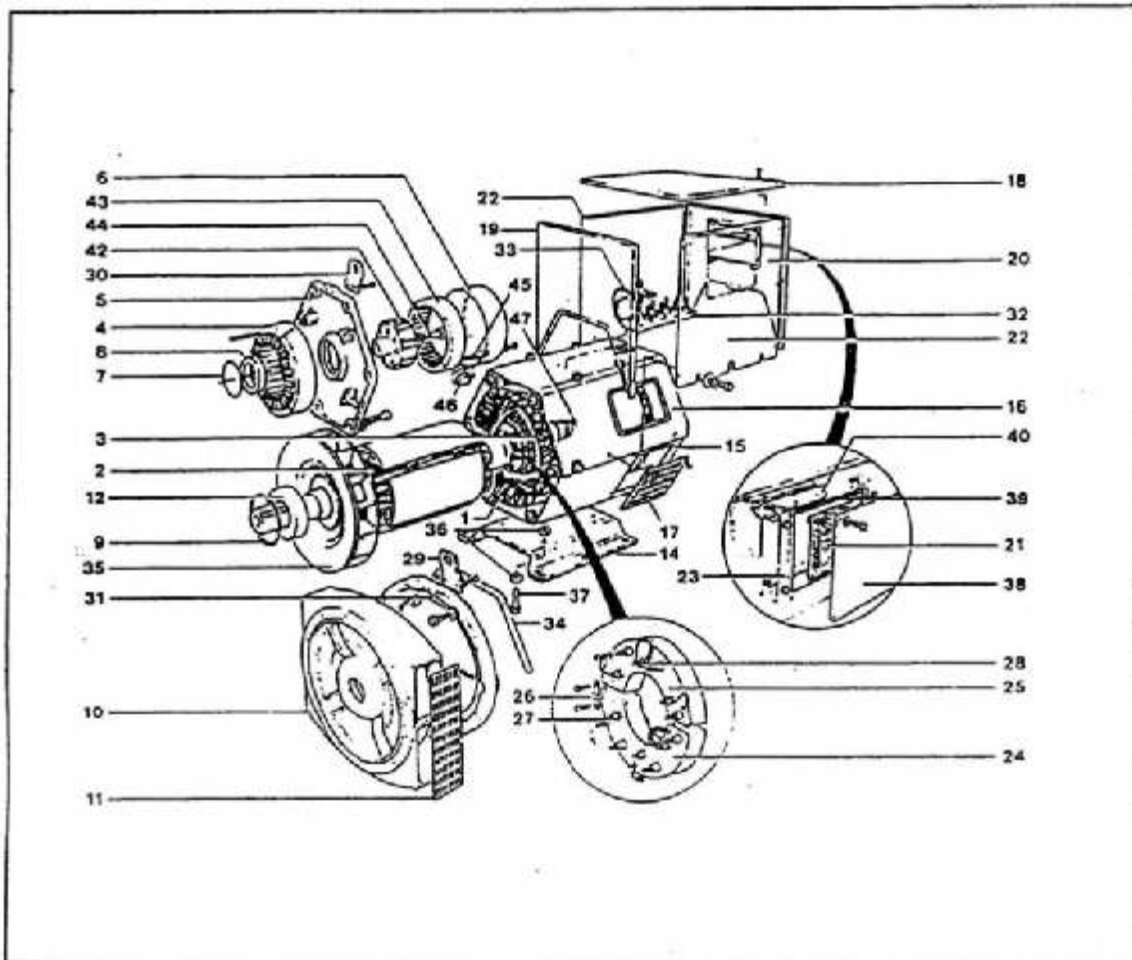
Series 3 (Separately Excited)

Ref.	Part Number	Description	Qty Rqd
6	Use AX1006573	PMG Cover	1
7	AX1006680	'O' Ring (See Note c)	1
8	AX1001007	Non Drive End Bearing	1
21	AX1001055	Automatic Voltage Regulator (MX341 As Standard)	1
26	Use AX1001059	Surge Suppressor (MOV)	1
26-27-28	AX1001059	Rectifier Service Kit (See Note a)	1
32	AX1001016	Main Terminal Panel	1
35	AX1001070	Fan, Cooling	1
42	Use AX1006573	PMG Rotor	1
43	Use AX1006573	PMG Stator	1
-	AX1006573	PMG Kit* (Less AVR)	1

Note:

- a) Rectifier Service Kit consists of:
- 1 Surge Suppressor (Metal Oxide Varistor)
 - 2 Forward Diode Set
 - 3 Reverse Diode Set
- b) *PMG Kit consists of:
- 1 PMG Cover
 - 2 PMG Rotor
 - 3 PMG Stator
- Does not include AVR.
- c) 'O' Ring must be changed whenever bearing is replaced.
- d) For the parts not shown in the above list, please contact us.

UC224 Double Bearing Alternator Exploded View



Shown in Series 3 Arrangement

UC224 Double Bearing Alternator parts List

Series 4 (Self Excited)

Ref.	Part Number	Description	Qty Rqd
7	AX1006680	'O' Ring (See Note c)	1
8	AX1001007	Non Drive End Bearing	1
12	AX1001008	Drive End Bearing	1
21	AX1001056	Automatic Voltage Regulator (SX440 As Standard)	1
26	Use AX1001059	Surge Suppressor (MOV)	1
26-27-28	AX1001059	Rectifier Service Kit (See Note a)	1
32	AX1001016	Main Terminal Panel	1
35	AX1001070	Fan, Cooling	1

Series 3 (Separately Excited)

Ref.	Part Number	Description	Qty Rqd
6	Use AX1006573	PMG Cover	1
7	Ax1006680	'O' Ring (See Note c)	1
8	AX1001007	Non Drive End Bearing	1
12	AX1001008	Drive End Bearing	1
21	AX1001055	Automatic Voltage Regulator (MX341 As Standard)	1
26	Use AX1001059	Surge Suppressor (MOV)	1
26-27-28	AX1001059	Rectifier Service Kit (See Note a)	1
32	AX1001016	Main Terminal Panel	1
35	AX1001070	Fan, Cooling	1
42	Use AX1006573	PMG Rotor	1
43	Use AX1006573	PMG Stator	1
-	AX1006573	PMG Kit* (Less AVR)	1

Note:

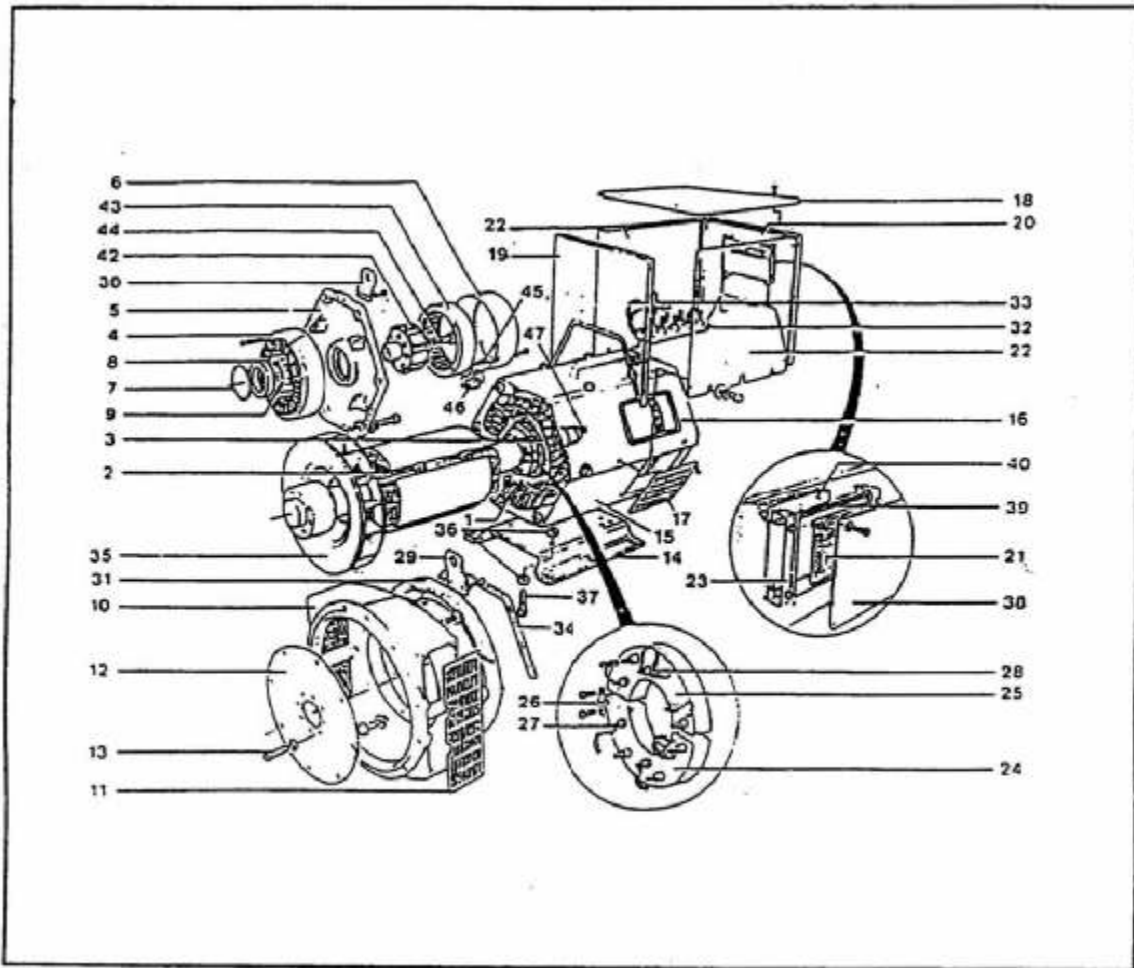
- a) Rectifier Service Kit consists of:
 - 1 – Surge Suppressor (Metal Oxide Varistor)
 - 2 – Forward Diode Set
 - 3 – Reverse Diode Set

- b) *PMG Kit consists of:
 - 1 – PMG Cover
 - 2 – PMG Rotor
 - 3 – PMG Stator
 Does not include AVR.

- c) 'O' Ring must be changed whenever bearing is replaced.

- d) For the parts not shown in the above list, please contact us.

UC274 Single Bearing Alternator Exploded View



Shown in Series 3 Arrangement

UC274 Single Bearing Alternator Parts List

Series 4 (Self Excited)

Ref.	Part Number	Description	Qty Rqd
7	AX1006680	'O' Ring (See Note c)	1
8	AX1001009	Non Drive End Bearing	1
21	AX1001056	Automatic Voltage Regulator (SX440 As Standard)	1
26	Use AX1001059	Surge Suppressor (MOV)	1
26-27-28	AX1001059	Rectifier Service Kit (See Note a)	1
32	AX1001016	Main Terminal Panel	1
35	AX1001071	Fan, Cooling	1

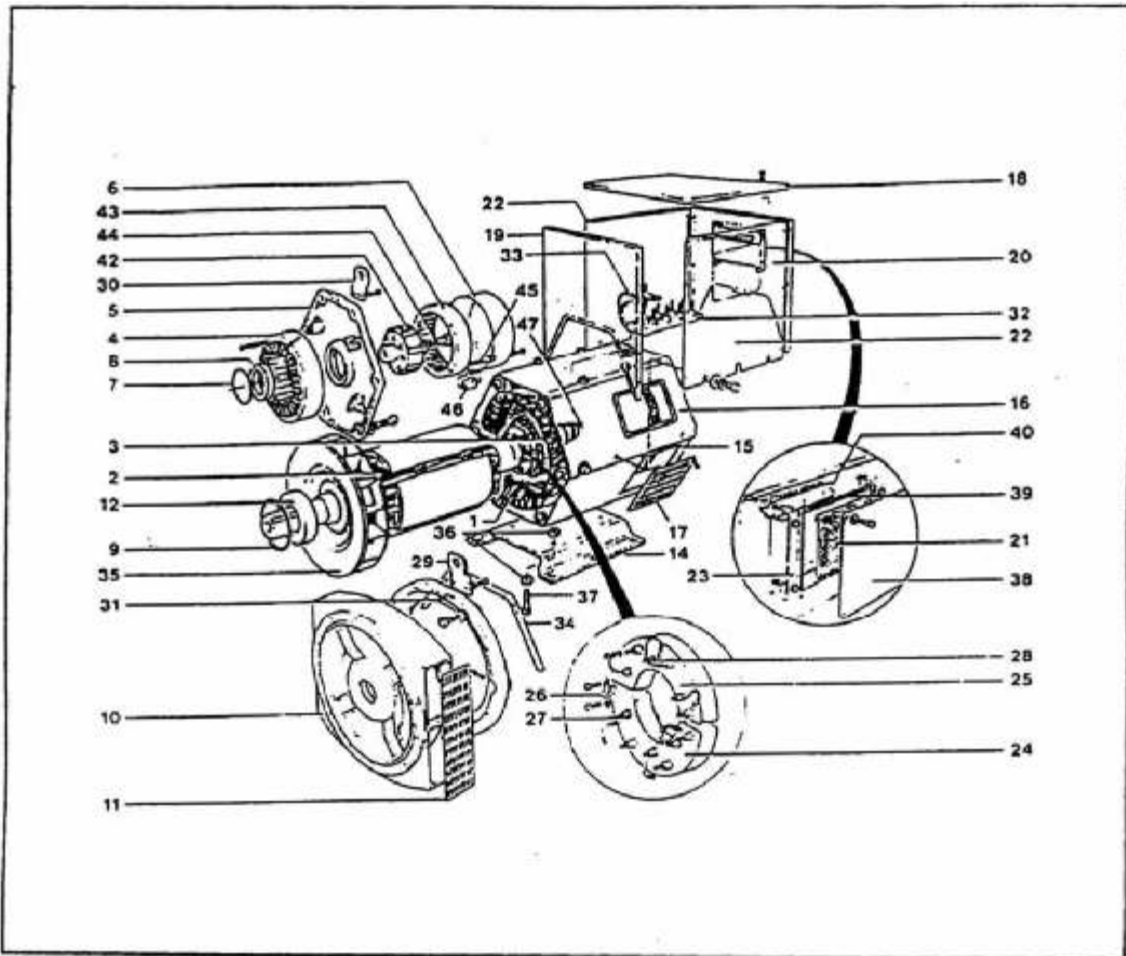
Series 3 (Separately Excited)

Ref.	Part Number	Description	Qty Rqd
6	Use AX1006573	PMG Cover	1
7	AX1006680	'O' Ring (See Note c)	1
8	AX1001009	Non Drive End Bearing	1
21	AX1001055	Automatic Voltage Regulator (MX341 As Standard)	1
26	Use AX1001059	Surge Suppressor (MOV)	1
26-27-28	AX1001059	Rectifier Service Kit (See Note a)	1
32	AX1001016	Main Terminal Panel	1
35	AX1001071	Fan, Cooling	1
42	Use AX1006573	PMG Rotor	1
43	Use AX1006573	PMG Stator	1
-	AX1006573	PMG Kit* (Less AVR)	1

Note:

- a) Rectifier Service Kit consists of:
- 1 – Surge Suppressor (Metal Oxide Varistor)
 - 2 – Forward Diode Set
 - 3 – Reverse Diode Set
- b) *PMG Kit consists of:
- 1 – PMG Cover
 - 2 – PMG Rotor
 - 3 – PMG Stator
- Does not include AVR.
- c) 'O' Ring must be changed whenever bearing is replaced.
- d) For the parts not shown in the above list, please contact us.

UC274 Double Bearing Alternator Exploded View



Shown in Series 3 Arrangement

UC274 Double Bearing Alternator Parts List

Series 4 (Self Excited)

Ref.	Part Number	Description	Qty Rqd
7	AX1006680	'O' Ring (See Note c)	1
8	AX1001009	Non Drive End Bearing	1
12	AX1001010	Drive End Bearing	1
21	AX1001056	Automatic Voltage Regulator (SX440 As Standard)	1
26	Use AX1001059	Surge Suppressor (MOV)	1
26-27-28	AX1001059	Rectifier Service Kit (See Note a)	1
32	AX1001016	Main Terminal Panel	1
35	AX1001071	Fan, Cooling	1

Series 3 (Separately Excited)

Ref.	Part Number	Description	Qty Rqd
6	Use AX1006573	PMG Cover	1
7	AX1006680	'O' Ring (See Note c)	1
8	AX1001009	Non Drive End Bearing	1
12	AX1001010	Drive End Bearing	1
21	AX1001055	Automatic Voltage Regulator (MX341 As Standard)	1
26	Use AX1001059	Surge Suppressor (MOV)	1
26-27-28	AX1001059	Rectifier Service Kit (See Note a)	1
32	AX1001016	Main Terminal Panel	1
35	AX1001071	Fan, Cooling	1
42	Use AX1006573	PMG Rotor	1
43	Use AX1006573	PMG Stator	1
-	AX1006573	PMG Kit* (Less AVR)	1

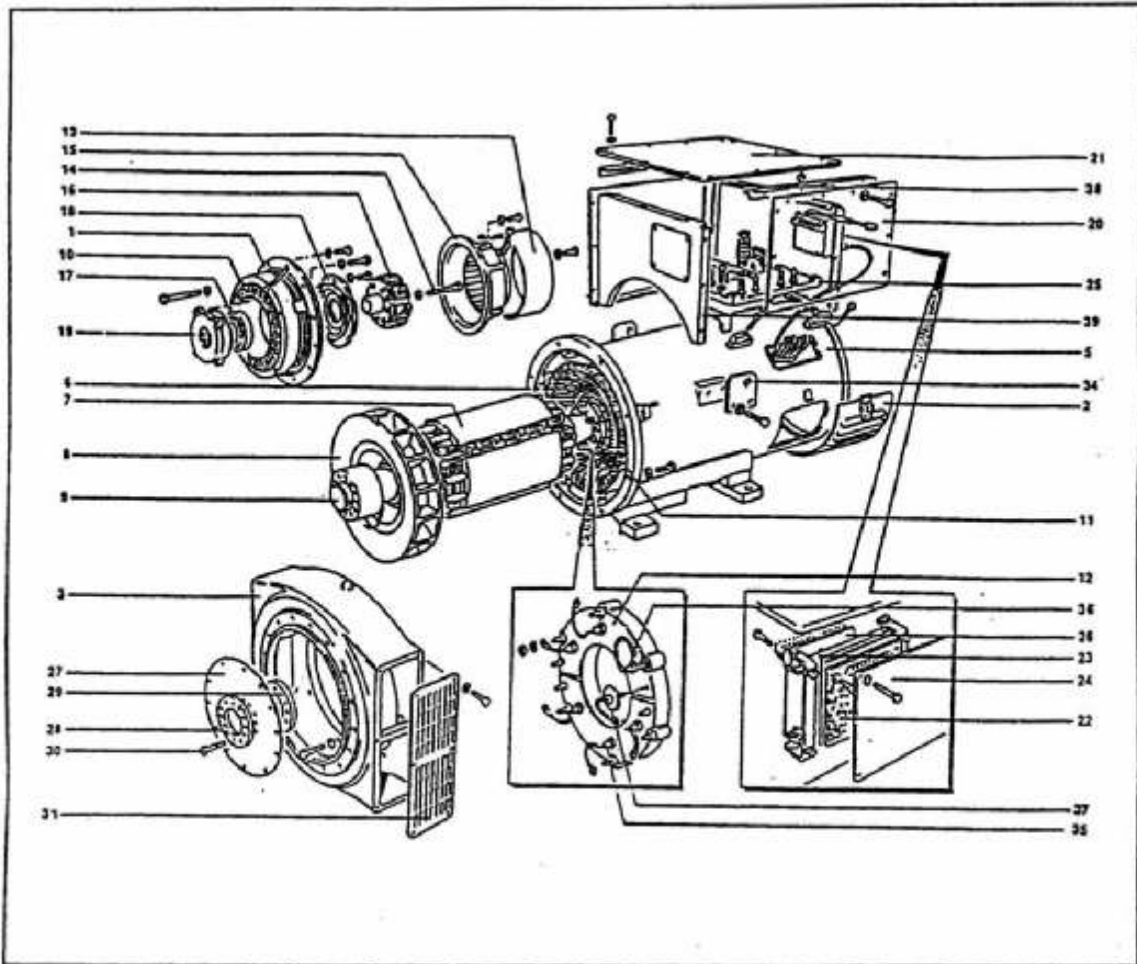
Note:

- a) Rectifier Service Kit consists of:
 - 1 – Surge Suppressor (Metal Oxide Varistor)
 - 2 – Forward Diode Set
 - 3 – Reverse Diode Set

- b) *PMG Kit consists of:
 - 1 – PMG Cover
 - 2 – PMG Rotor
 - 3 – PMG Stator
 Does not include AVR.

- c) 'O' Ring must be changed whenever bearing is replaced.
- d) For the parts not shown in the above list, please contact us.

HC434 Single Bearing Alternator Exploded View



Shown in Series 3 Arrangement

HC434 Single Bearing Alternator Parts List

Series 3

Ref.	Part Number	Description	Qty Rqd
8	AX1001079	Fan Cooling	1
--	AX1001063	PMG Kit* (Less AVR)	1
13	Use AX1001063	PMG Cover	1
15	Use AX1001063	PMG Stator / Frame Assembly	1
16	Use AX1001063	PMG Rotor Assembly	1
17-18-19	AX1001040	Non-Drive End Bearing (Pressed in cartridge)	1
22	AX1001055	Automatic Voltage Regulator (MX341 As Standard)	1
25	AX1001019	Main Terminal Panel	1
35-36-37	AX1001060	Rectifier Service Kit (See Note a)	1
26	Use AX1001060	Surge Suppressor (MOV) Lead Assembly	1
12,35-37	AX1001020	Rotating Rectifier Assembly	1

Note:

a) Rectifier Service Kit consists of:

- 1 – Surge Suppressor (Metal Oxide Varistor)
- 2 – Forward Diode Set
- 3 – Reverse Diode Set

b) *PMG Kit consists of:

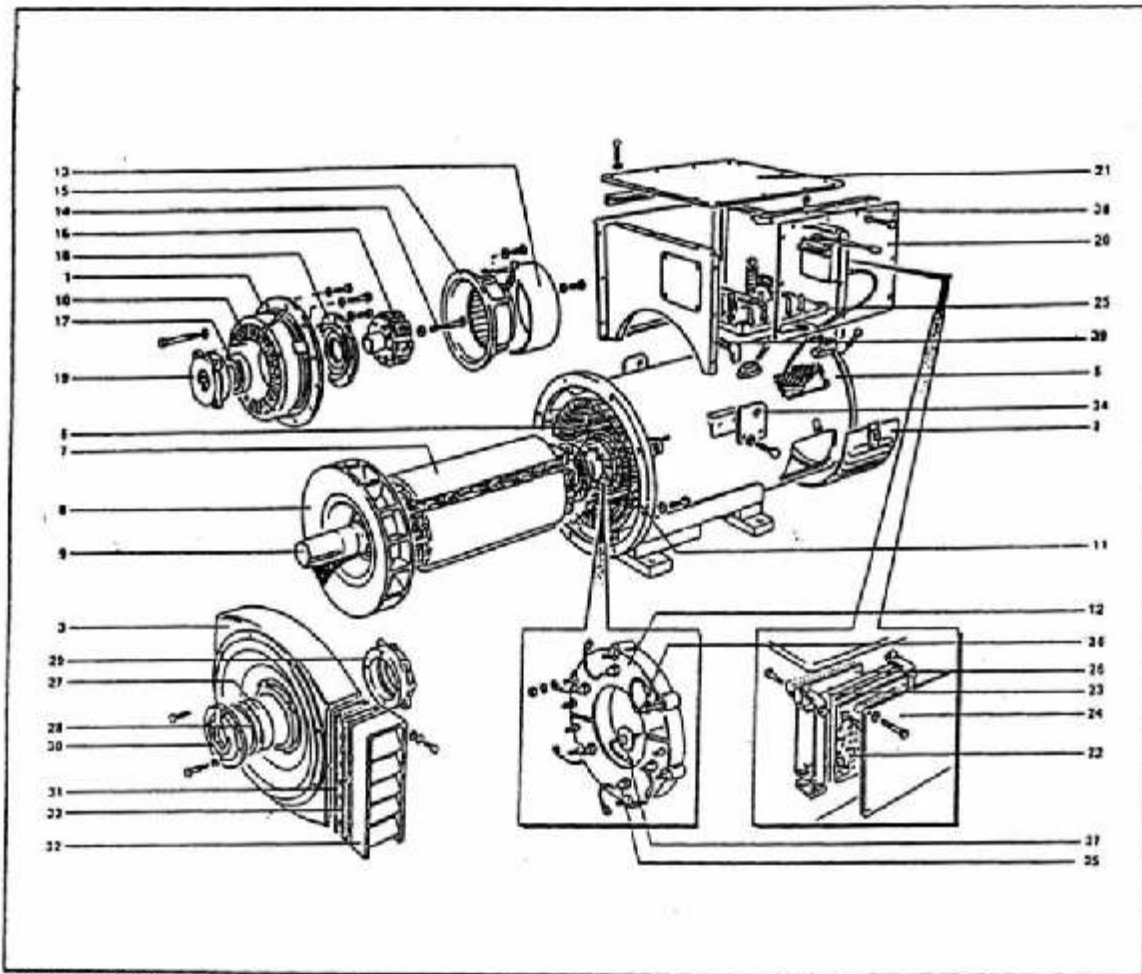
- 1 – PMG Cover
- 2 – PMG Rotor
- 3 – PMG Stator

Does not include AVR.

c) Every time a Bearing is replaced the 'O' Ring must be changed. HC 4 machines do not have NDE bearing cartridge and cap as they are manufactured with the Integral Bracket design.

d) For the parts not shown in the above list, please contact us.

HC434 Double Bearing Alternator Exploded View



Shown in Series 3 Arrangement

HC434 Double Bearing Alternator Parts List

Series 3

Ref.	Part Number	Description	Qty Rqd
8	AX1001079	Fan Cooling	1
--	AX1001063	PMG Kit* (Less AVR)	1
13	Use AX1001063	PMG Cover	1
15	Use AX1001063	PMG Stator / Frame Assembly	1
16	Use AX1001063	PMG Rotor Assembly	1
17-18-19	AX1001040	Non-Drive End Bearing (Pressed in cartridge)	1
22	AX1001055	Automatic Voltage Regulator (MX341 As Standard)	1
25	AX1001019	Main Terminal Panel	1
27-29-30	AX1001039	Drive End Bearing (Pressed in Cartridge)	1
35-36-37	AX1001060	Rectifier Service Kit (See Note a)	1
37	Use AX1001060	Surge Suppressor (MOV) Lead Assembly	1
12,35-37	AX1001020	Rotating Rectifier Assembly	1

Note:

- a) Rectifier Service Kit consists of:
 - 1 – Surge Suppressor (Metal Oxide Varistor)
 - 2 – Forward Diode Set
 - 3 – Reverse Diode Set

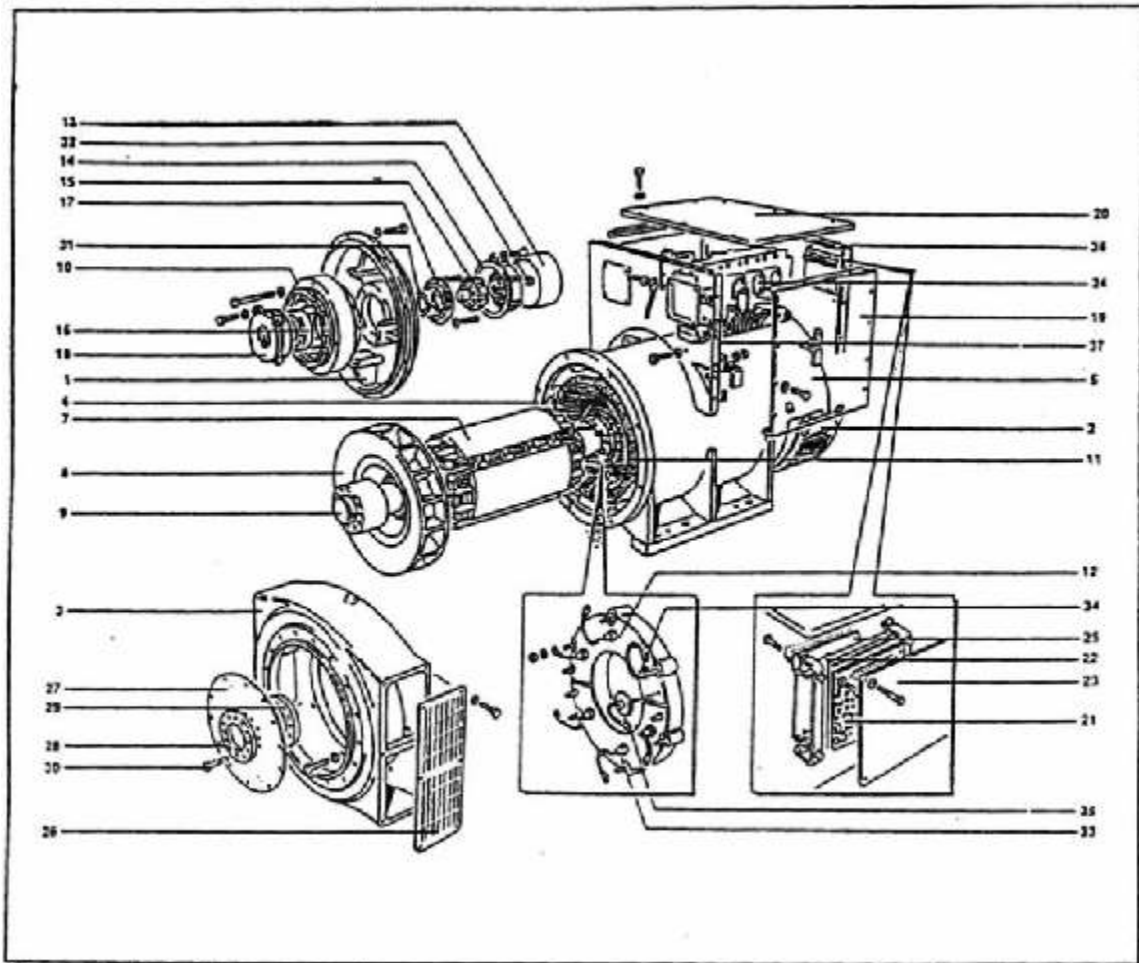
- b) *PMG Kit consists of:
 - 1 – PMG Cover
 - 2 – PMG Rotor
 - 3 – PMG Stator

It Does Not Include an AVR.

- c) Every time a Bearing is replaced the 'O' Ring must be renewed. HC 4 machines do not have NDE bearing cartridge and cap as they are manufactured with the Integral Bracket design.

- d) For the parts not shown in the above list, please contact us.

HC534 Single Bearing Alternator Exploded View



Shown in Series 3 Arrangement

HC534 Single Bearing Alternator Parts List

Series 3

Ref.	Part Number	Description	Qty Rqd
8	AX1001082	Fan, Cooling	1
-	AX1001065	PMG Kit*(Less AVR)	1
13	Use AX1001065	PMG Cover	1
14	Use AX1001065	PMG Stator / Frame Assembly	1
15	Use AX1001065	PMG Rotor Assembly	1
16-17-18	AX1001038	Non-Drive End Bearing (Pressed in cartridge)	1
21	AX1001055	Automatic Voltage Regulator (MX341 As Standard)	1
24	AX1001022	Main Terminal Panel	1
35-36-37	AX1001060	Rectifier Service Kit (See Note a)	1
35	Use AX1001060	Surge Suppressor (MOV) Lead Assembly	1
12-33-35	AX1001020	Rotating Rectifier Assembly	1

Note:

a) Rectifier Service Kit consists of:

- 1 – Surge Suppressor (Metal Oxide Varistor)
- 2 – Forward Diode Set
- 3 – Reverse Diode Set

b) *PMG Kit consists of:

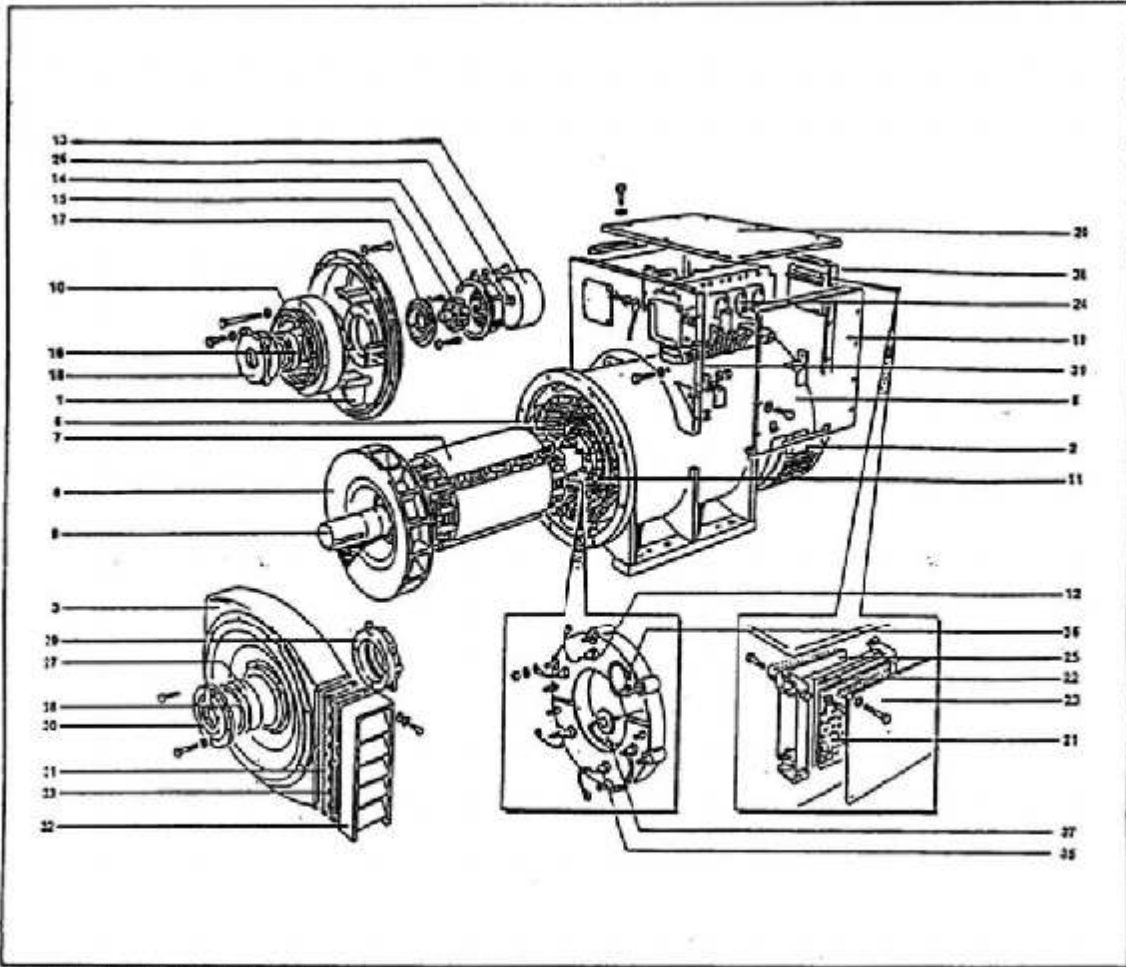
- 1 – PMG Cover
- 2 – PMG Rotor
- 3 – PMG Stator

Does not include AVR.

c) Every time a Bearing is replaced the 'O' Ring must be changed. HC 5 machines do not have NDE bearing cartridge and cap as they are manufactured with the Integral Bracket design.

d) For the parts not shown in the above list, please contact us.

HC534 Double Bearing Alternator Exploded View



Shown Series 3 Arrangement

HC534 Double Bearing Alternator Parts List

Series 3

Ref.	Part Number	Description	Qty Rqd
8	AX1001082	Fan, Cooling	1
-	AX1001065	PMG Kit* (Less AVR)	1
13	Use AX1001065	PMG Cover	1
14	Use AX1001065	PMG Stator / Frame Assembly	1
15	Use AX1001065	PMG Rotor Assembly	1
16-17-18	AX1001038	Non Drive End Bearing (Bearing Pressed in Cartridge)	1
21	AX1001055	Automatic Voltage Regulator (MX341 As Standard)	1
24	AX1001022	Main Terminal Panel	1
27-29-30	AX1001037	Drive End Bearing (Pressed in cartridge)	1
35-36-37	AX1001060	Rectifier Service Kit (See Note a)	1
35	Use AX1001060	Surge Suppressor (MOV) Lead Assembly	1
12-33-35	AX1001020	Rotating Rectifier Assembly	1

Note:

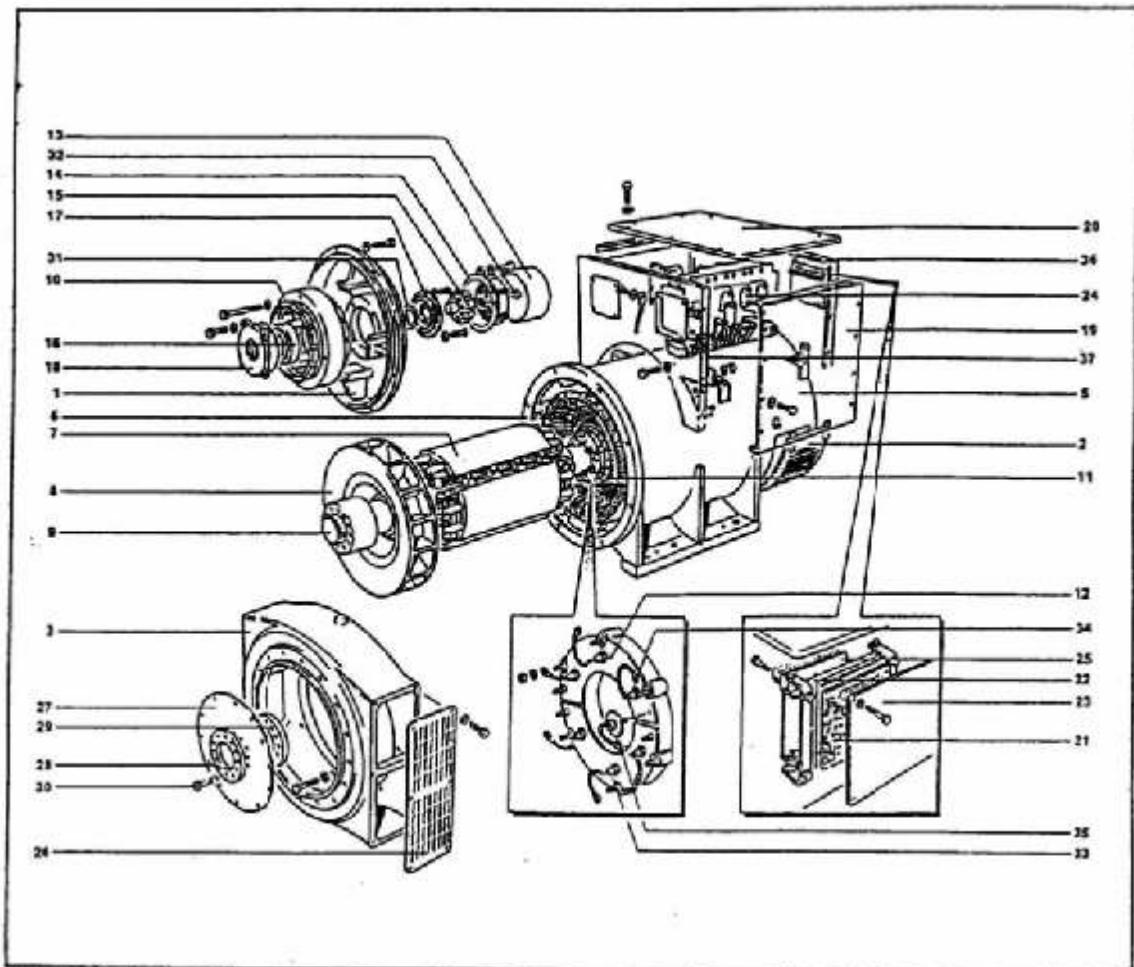
- a) Rectifier Service Kit consists of:
 - 1 – Surge Suppressor (Metal Oxide Varistor)
 - 2 – Forward Diode Set
 - 3 – Reverse Diode Set

- b) PMG Kit consists of:
 - 1 – PMG Cover
 - 2 – PMG Rotor
 - 3 – PMG Stator
 Does not include AVR.

- c) Every time a Bearing is replaced the 'O' Ring must be changed. HC 5 machines do not have NDE bearing cartridge and cap as they are manufactured with the Integral Bracket design.

- d) For the parts not shown in the above list, please contact us.

HC634 Single Bearing Alternator Exploded View



Shown in Series 3 Arrangement

HC634 Single Bearing Alternator Parts List

Series 3

Ref.	Part Number	Description	Qty Rqd
8	AX1001083	Fan, Cooling	1
-	AX1001064	PMG Kit* (Less AVR)	1
13	Use AX1001064	PMG Cover	1
14	Use AX1001064	PMG Stator / Frame Assembly	1
15	Use AX1001064	PMG Rotor Assembly	1
16-17-18	AX1001036	Non Drive End Bearing (Pressed in Cartridge)	1
21	AX1001054	Automatic Voltage Regulator (MX321 As Standard)	1
24	AX1006017	Main Terminal Panel	1
35-36-37	AX1001061	Rectifier Service Kit (See Note a)	1
35	Use AX1001061	Surge Suppressor (MOV) Lead Assembly	1
12-33-35	AX1002152	Rotating Rectifier Assembly	1

Note:

- a) Rectifier Service Kit consists of:
 - 1 – Surge Suppressor (Metal Oxide Varistor)
 - 2 – Forward Diode Set
 - 3 – Reverse Diode Set

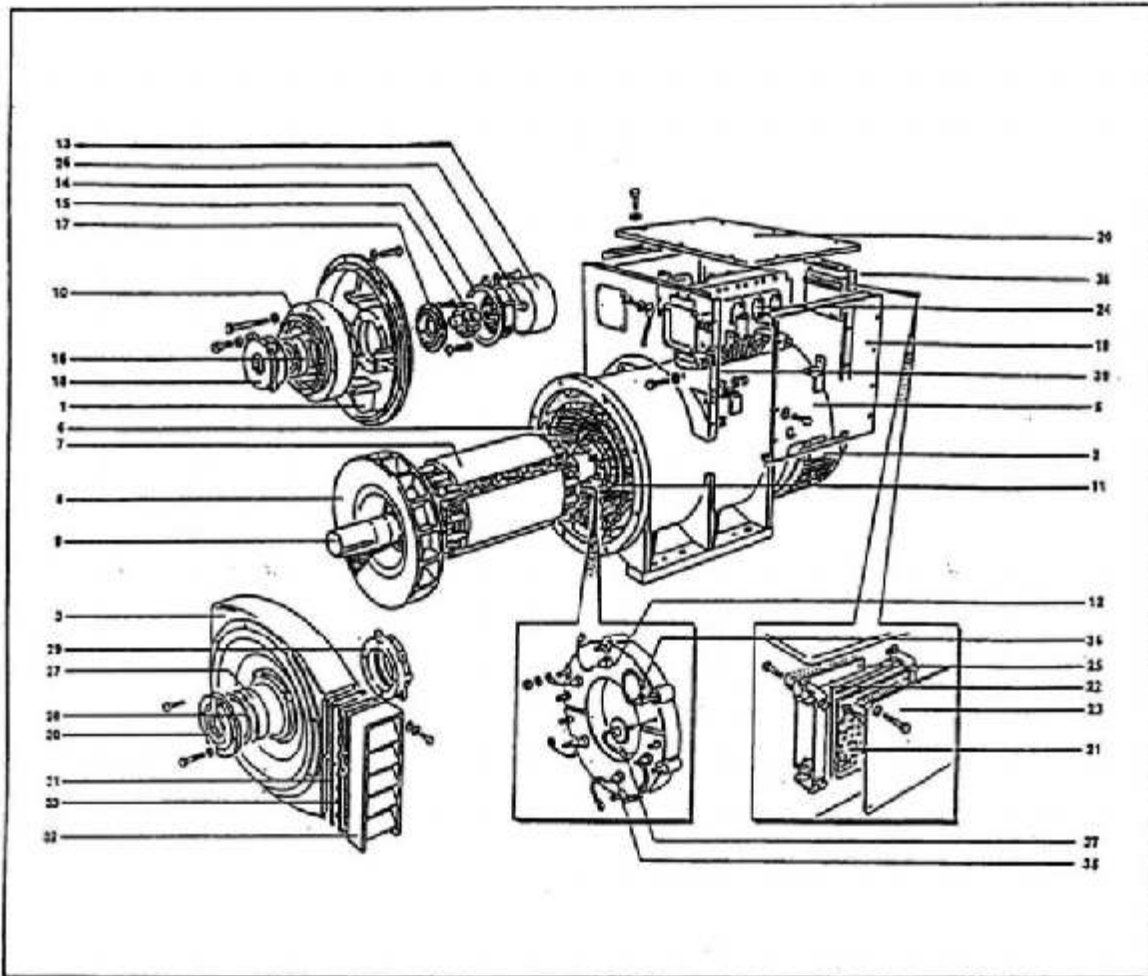
- b) *PMG Kit consists of:
 - 1 – PMG Cover
 - 2 – PMG Rotor
 - 3 – PMG Stator

Does not include AVR.

- c) 'O' Ring must be changed whenever bearing is replaced.

- d) For the parts not shown in the above list, please contact us.

HC634 Double Bearing Alternator Exploded View



Shown Series 3 Arrangement

HC634 Double Bearing Alternator Parts List

Series 3

Ref.	Part Number	Description	Qty Rqd
8	AX1001083	Fan, Cooling	1
-	AX1001064	PMG Kit* (Less AVR)	1
13	Use AX1001064	PMG Cover	1
14	Use AX1001064	PMG Stator / Frame Assembly	1
15	Use AX1001064	PMG Rotor Assembly	1
16-17-18	AX1001036	Non Drive End Bearing (Pressed in Cartridge)	1
21	AX1001054	Automatic Voltage Regulator (MX321 As Standard)	1
24	AX1006017	Main Terminal Panel	1
27-29-30	AX1001035	Drive End Bearing (Pressed in Cartridge)	1
35-36-37	AX1001061	Rectifier Service Kit (See Note a)	1
35	Use AX1001061	Surge Suppressor (MOV) Lead Assembly	1
12-33-35	AX1002152	Rotating Rectifier Assembly	1

Note:

a) Rectifier Service Kit Consists of:

- 1 – Surge Suppressor (Metal Oxide Varistor)
- 2 – Forward Diode Set
- 3 – Reverse Diode Set

b) *PMG Kit Consists of:

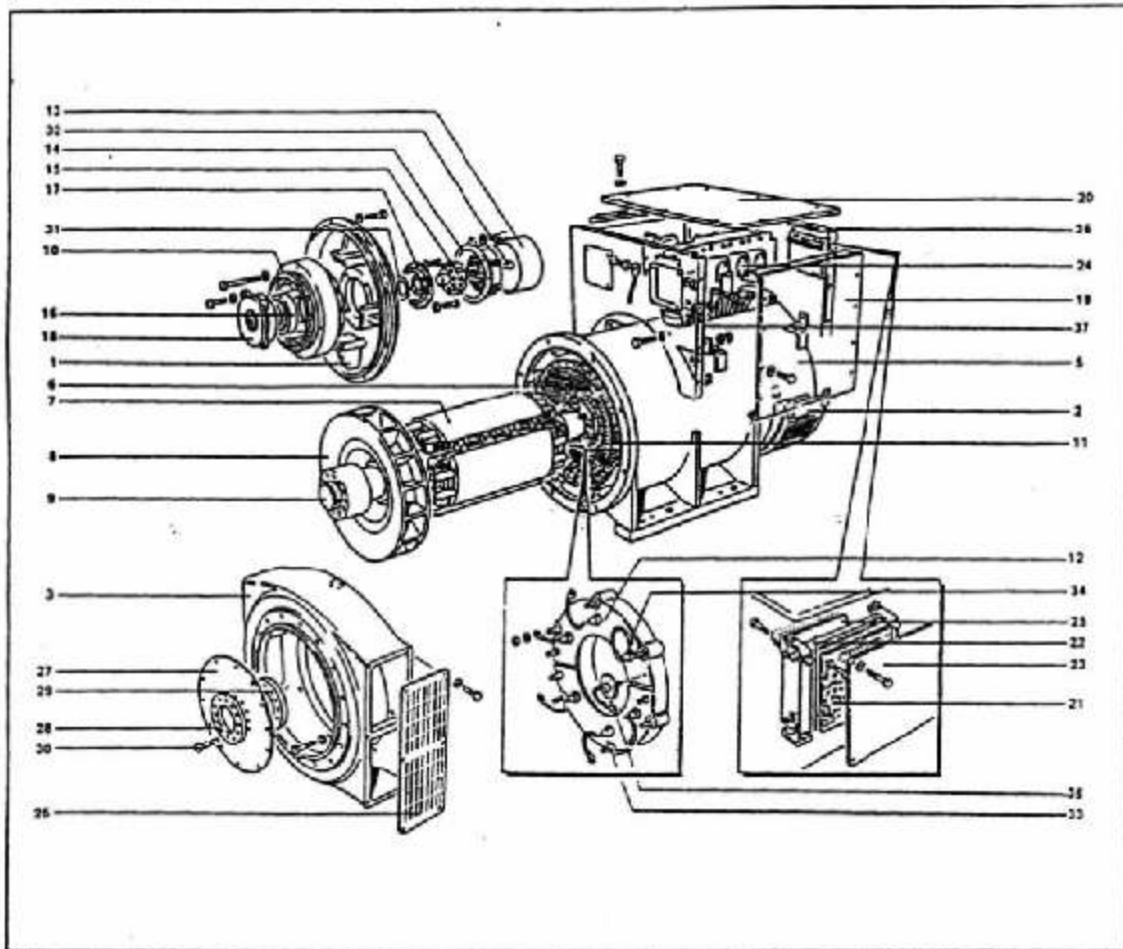
- 1 – PMG Cover
- 2 – PMG Rotor
- 3 – PMG Stator

Does not include AVR.

c) 'O' Ring must be changed whenever bearing is replaced.

d) For the parts not shown in the above list, please contact us.

HC734 Single Bearing Alternator Exploded View



Shown in Series 3 Arrangement

HC734 Single Bearing Alternator Parts List

Series 3

Ref.	Part Number	Description	Qty Rqd
-	AX1001064	PMG KIT* (Less AVR)	1
13	Use AX1001064	PMG Cover	1
14	Use AX1001064	PMG Stator / Frame Assembly	1
15	Use AX1001064	PMG Rotor Assembly	1
16-17-18	AX1004938	Kit, Non Drive End Bearing	1
21	AX1001054	Automatic Voltage Regulator (MX321 As Standard)	1
24	AX1006686	Main Terminal Panel	1
33-34-35	AX1001061	Rectifier Service Kit (See Note)	1
35	Use AX1001061	Surge Suppressor (MOV) Lead Assembly	1
-	AX1001064	PMG Kit (See Note)	1
12,33-35	AX1002152	Rotating Rectifier Assembly	1

Note:

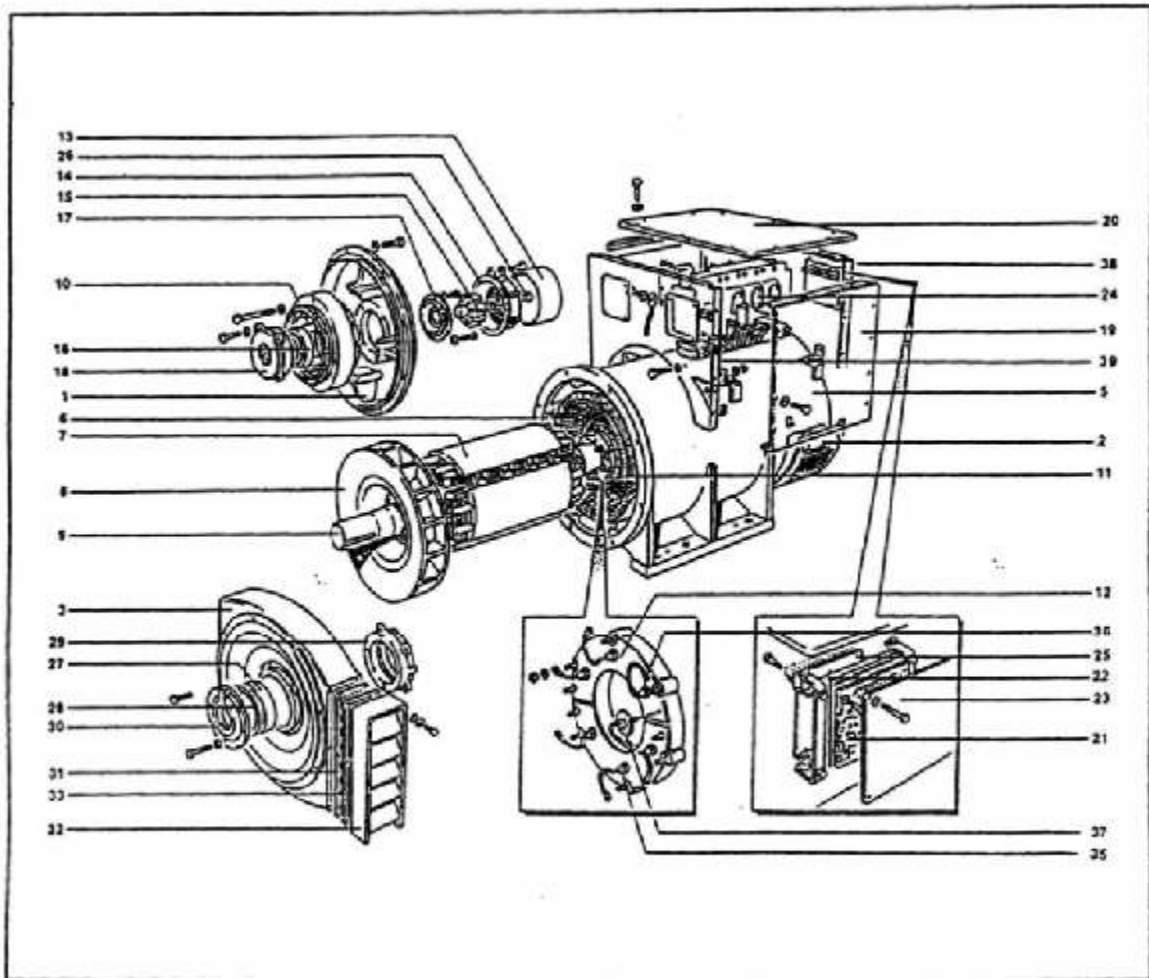
- a) Rectifier Service Kit Consists of:
 - 1 – Surge Suppressor (Metal Oxide Varistor)
 - 2 – Forward Diode Set
 - 3 – Reverse Diode Set

- b) PMG Kit Consists of:
 - 1 – PMG Cover
 - 2 – PMG Rotor
 - 3 – PMG Stator
 Does not include AVR.

- c) 'O' Ring must be changed whenever bearing is replaced.

- d) For the parts not shown in the above list, please contact us.

HC734 Double Bearing Alternator Exploded View



Shown in Series 3 Arrangement

HC734 Double Bearing Alternator Parts List

Series 3

Ref.	Part Number	Description	Qty Rqd
-	AX1001064	PMG Kit* (Less AVR)	1
13	Use AX1001064	PMG Cover	1
14	Use AX1001064	PMG Stator / Frame Assembly	1
15	Use AX1001064	PMG Rotor Assembly	1
16-17-18	AX1004938	Kit, Non-Drive End Bearing	1
21	AX1001054	Automatic Voltage Regulator (MX321 As Standard)	1
24	AX1006686	Main Terminal Panel	1
27	AX1006692	Drive End Bearing pressed in cartridge	1
29	Use AX1006692	Drive End Bearing Cartridge	1
30	Use AX1006692	Drive End Bearing Cap	1
35-36-37	AX1001061	Rectifier Service Kit (See Note)	1
35	Use AX1001061	Surge Suppressor (MOV) Lead Assembly	1
-	AX1001064	PMG Kit (See Note)*	1
12,33-35	AX1002152	Rotating Rectifier Assembly	1

Note:

- a) Rectifier Service Kit consists of:
 - 1 – Surge Suppressor (Metal Oxide Varistor)
 - 2 – Forward Diode Set
 - 3 – Reverse Diode Set

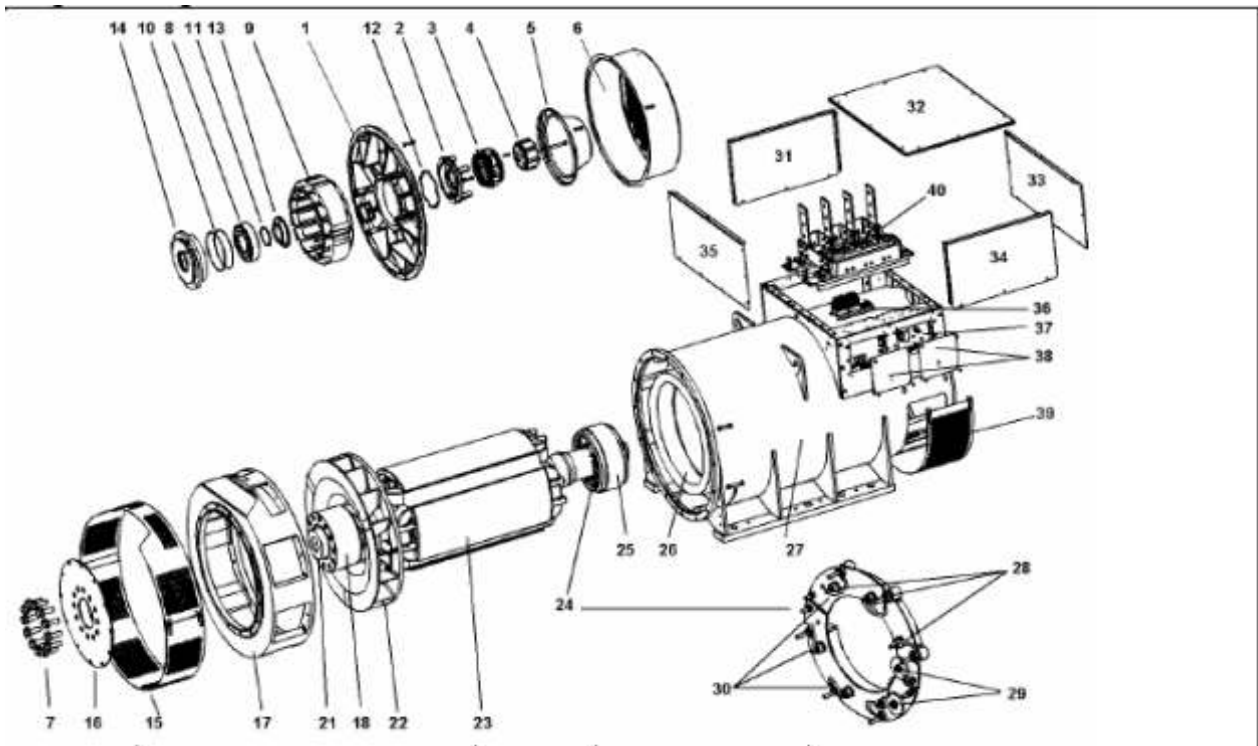
- b) *PMG Kit consists of:
 - 1 – PMG Cover
 - 2 – PMG Rotor
 - 3 – PMG Stator

Does not include AVR.

- c) 'O' Ring must be changed whenever bearing is replaced.

- d) For the parts not shown in the above list, please contact us.

P7 Single Bearing Alternator Exploded View



P7 Single Bearing Alternator Parts List

Ref.	Part Number	Description	Qty Rqd
-	AX1006681	PMG Kit* (Less AVR)	1
2	AX1006683	Non Drive End Bearing Cartridge	1
3	Use AX1006681	PMG Stator / Frame Assembly	1
4	Use AX1006681	PMG Rotor Assembly	1
5	AX1006693	PMG Cover	1
10	AX1006682	Non Drive End Bearing	1
14	AX1006684	Non Drive End Bearing Cap	1
40	AX1006685	Main Terminal Panel	1
-	AX1001054	Automatic Voltage Regulator (MX321 As Standard)	1
-	AX1006687	HC6/P7 Main Stator Dowel Pin (12 X 65 MM)	1

Note:

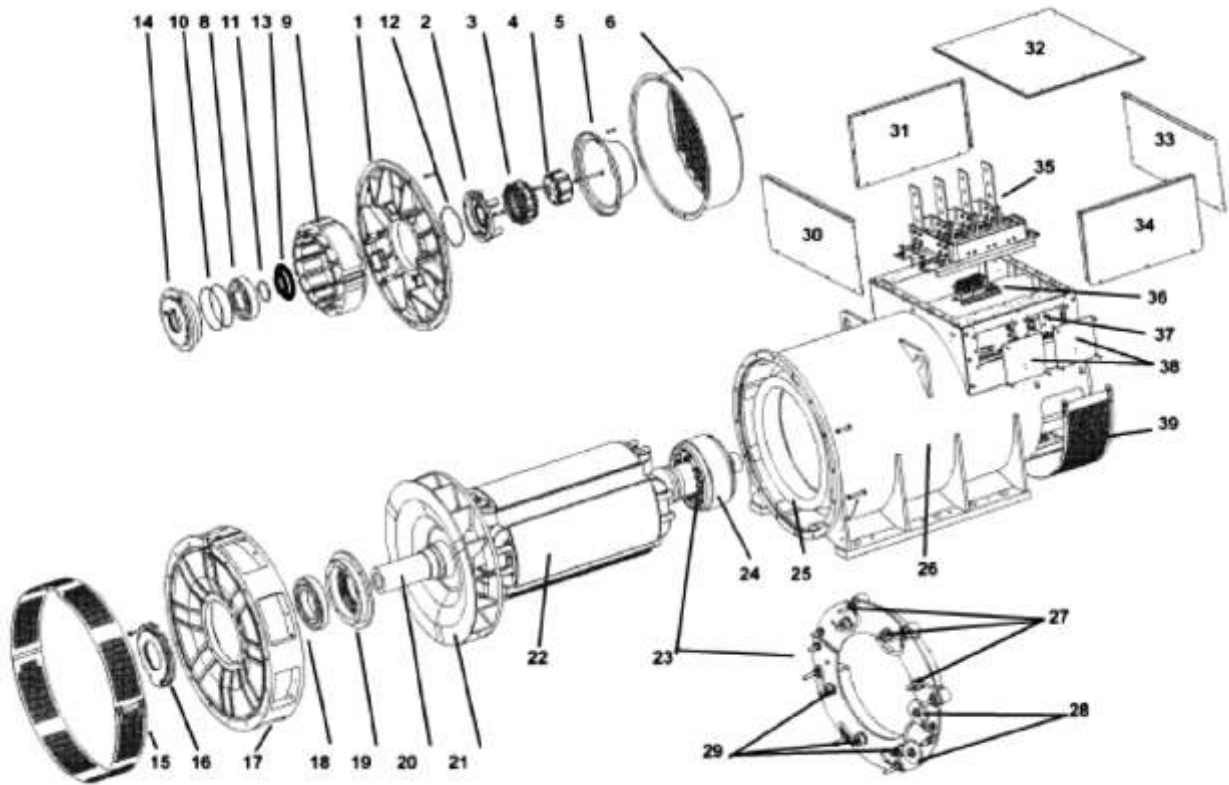
- a) Rectifier Service Kit consists of:
 - 1 – Surge Suppressor (Metal Oxide Varistor)
 - 2 – Forward Diode Set
 - 3 – Reverse Diode Set

- b) *PMG Kit consists of:
 - 1 – PMG Cover
 - 2 – PMG Rotor
 - 3 – PMG Stator
 Does not include AVR.

- c) 'O' Ring must be changed whenever bearing is replaced.

- d) For the parts not shown in the above list, please contact us.

P7 Double Bearing Alternator Exploded View



P7 Double Bearing Alternator Parts List

Ref.	Part Number	Description	Qty Rqd
-	AX1006681	PMG Kit* (Less AVR)	1
2	AX1006683	Non Drive End Bearing Cartridge	1
3	Use AX1006681	PMG Stator / Frame Assembly	1
4	Use AX1006681	PMG Rotor Assembly	1
5	AX1006693	PMG Cover	1
10	AX1006682	Non Drive End Bearing	1
14	AX1006684	Non Drive End Bearing Cap	1
16	AX1006695	Drive End Bearing Cap HC7(E,F,G,H) and P7 (A, B, C, D and E) frames	1
16	AX1006690	Drive End Bearing Cap HC7 (J) / P7 (F, G) frames	1
18	AX1006688	Drive End Bearing HC7(E,F,G,H) / P7 (A, B, C, D and E) frames	1
18	AX1006691	Drive End Bearing HC7 (J) / P7 (F, G) frames	1
19	AX1006694	Drive End Bearing Cartridge HC7(E,F,G,H) and P7 (A, B, C, D and E) frames	1
19	AX1006689	Drive End Bearing Cartridge HC7 (J) / P7 (F, G) frames	1
40	AX1006685	Main Terminal Panel	1
-	AX1001054	Automatic Voltage Regulator (MX321 As Standard)	1
-	AX1006687	HC6/P7 Main Stator Dowel Pin (12*65 MM)	1

Note:

- a) Rectifier Service Kit consists of:
 - 1 – Surge Suppressor (Metal Oxide Varistor)
 - 2 – Forward Diode Set
 - 3 – Reverse Diode Set

- b) *PMG Kit consists of:
 - 1 – PMG Cover
 - 2 – PMG Rotor
 - 3 – PMG Stator
 Does not include AVR.

- c) 'O' Ring must be changed whenever bearing is replaced.

- d) For the parts not shown in the above list, please contact us.

SPARES SECTION

Automatic Voltage Regulators and Electrical Modules

Sr.	Part Number	Description
1	AX1001031	Isolation Transformer Ratio 2:1 (480 V – 240 V)
2	AX1001053	Isolation Module
3	AX1001055	Automatic Voltage Regulator, MX 341
4	AX1001056	Automatic Voltage Regulator, SX 440
5	AX1001057	Automatic Voltage Regulator, SX 421
6	AX1001054	Automatic Voltage Regulator, MX 321
7	AX1002581	Automatic Voltage Regulator, SX 460
8	AX1005478	Over Voltage Module Switch/Excitation Switch

Note: PF Controllers require a standard Droop Kit to be installed, plus a Current Transformer selected suitable to match Generator Amps.

Rectifier Service Kits (Diode Set plus Varistor)

Sr.	Part Number	Description
1	AX1001059	Rectifier Service Kit – BC Frame
2	AX1001059	Rectifier Service Kit – UC Frame
3	AX1001060	Rectifier Service Kit – HC 4 & 5 Frame
4	AX1001061	Rectifier Service Kit – HC 6 Frame

Note: Diodes and Varistors will only be supplied as complete RSK Kits.

Surge Suppressors

Sr.	Part Number	Description
1	AX1001011	Surge Suppressor – UC Frame
2	AX1002580	Surge Suppressor – BC Frame
3	AX1001028	Surge Suppressor – HC 4 & 5 Frame
4	AX1001027	Surge Suppressor – HC 6 Frame

Note: As each part can be used on a large number of different alternators, please turn to the page detailing the specific alternator if identification of a part is required.

Quadrature Droop Kit

Sr.	Part Number	Description
1	AX1001017	Quadrature Droop Kit, UC 22
2	AX1001018	Quadrature Droop Kit, UC 27
3	AX1001021	Quadrature Droop Kit, HC 4
4	AX1001032	Quadrature Droop Kit, HC 5
5	AX1001033	Quadrature Droop Kit, HC 6
6	AX1006737	Quadrature Droop Kit, HC 7/ P7

Note: Please contact us for the requirement of QDCT from above kits.

Heater Kits

Sr.	Part Number	Description
1	AX1006696	Space Heater (240 V), BC 16 & BC 18
2	AX1001066	Space Heater (240 V), UC 22
3	AX1001066	Space Heater (240 V), UC 27
4	AX1001067	Space Heater (240 V), HC 4
5	AX1001068	Space Heater (240 V), HC 5
6	AX1001069	Space Heater (240 V), HC 6

Note: The Heater Kit does not include a terminal box.

PMG Kits

Sr.	Part Number	Description
1	AX1006573	PMG Kit, UC22 & UC 27
2	AX1001063	PMG Kit, HC 4
3	AX1001065	PMG Kit, HC 5
4	AX1001064	PMG Kit, HC 6 / 7
5	AX1006681	PMG Kit, P 7

Note: PMG Kit does not include an AVR.

Operation and Maintenance Manuals:

Please refer to Cummins Generator Technology (Newage) web site www.cumminsgeneratortechnologies.com for soft copy of the manuals.

Bearings

Sr.	Part Number	Description
1	AX1001007	BC16 / BC18 DE Bearing
2	AX1002579	BC16 / BC18 NDE Bearing
3	AX1001007	UC22 NDE Bearing
4	AX1001008	UC22 DE Bearing
5	AX1001009	UC27 NDE Bearing
6	AX1001010	UC27 DE Bearing

Note: As each part can be used on a number of different alternators, please turn to the page detailing the specific alternator if identification of a part is required.

‘O’ Ring for NDE Bearings

Sr.	Part Number	Description
1	AX1002578	BC 16 ‘O’ Ring
2	AX1002578	BC 18 ‘O’ Ring
3	AX1006680	UC 22 ‘O’ Ring
4	AX1006680	UC 27 ‘O’ Ring

Note: Every time a Bearing is replaced, the ‘O’ Ring must be renewed.

Transit Set

Sr.	Part Number	Description
1	AX1005647	UC 22/27 SAE 3/10 Transit Set
2	AX1005648	UC 22/27 SAE 3/11.5 Transit Set
3	AX1005649	UC 22/27 SAE 2/11.5 Transit Set
4	AX1005650	SAE 1/14 Transit Set
5	AX1005651	SAE 0/14 Transit Set
6	AX1005652	SAE 0/18 Transit Set
7	AX1005653	HC 6 Transit Set

Single Bearing Adaptors

Sr.	Part Number	Details
1	AX1005660	BC 16 / 18, SAE 2
2	AX1006697	BC 16 / 18, SAE 4
3	AX1005661	BC 16 / 18, SAE 5
4	AX1005366	UC 22, SAE 2
5	AX1006698	UC 22, SAE 3
6	AX1006699	UC 27, SAE 1
7	AX1006700	UC 27, SAE 2
8	AX1006477	UC 27, SAE 3
9	AX1006701	HC 4, SAE 0
10	AX1006702	HC 4, SAE ½
11	AX1006703	HC 4, SAE 1
12	AX1006704	HC 4, SAE 2
13	AX1006705	HC 5, SAE 0
14	AX1006706	HC 5, SAE ½
15	AX1006707	HC 5, SAE 1
16	AX1006708	HC 6, SAE 0

Single Bearing Couplings

Sr.	Part Number	Details
1	AX1006709	BC 16 / 18, SAE 6.5
2	AX1006710	BC 16 / 18, SAE 7.5
3	AX1006711	BC 16 / 18, SAE 8
4	AX1005666	BC 16 / 18, SAE 10
5	AX1005663	BC 16 / 18, SAE 11.5
6	AX1005665	BC 18 (H & J) SAE 10
7	AX1005664	BC 18 (H & J) SAE 11.5
8	AX1005662	BC 16/18, for Lister Pitter Alpha
9	AX1006712	UC 22, SAE 8
10	AX1002589	UC 22, SAE 10
11	AX1002590	UC 22, SAE 11.5
12	AX1002591	UC 27, SAE 11.5
13	AX1002636	UC 27, SAE 14
14	AX1006713	UC 22, SAE 15.5
15	AX1006714	UC 27, DELCO 17.75
16	AX1002637	HC 4, SAE 11.5
17	AX1002638	HC 4 / 5 / 6, SAE 14
18	AX1002642	HC 4 / 5 / 6, SAE 18
19	AX1006715	HC 4 / 5 / 6, DELCO 17.75
20	AX1006716	HC 5 / 6, SAE 21
21	AX1002641	HC 6, SAE 14
22	AX1006717	HC 6, SAE 21
23	AX1006718	HC 6, DELCO 17.75
24	AX1006719	HC 7, SAE 18
25	AX1006720	HC 7, SAE 21
26	AX1006721	HC 7, SAE 24

Spacers

Sr.	Part Number	Details
1	AX1006722	BC 16 / 18, SAE 6.5 & 7
2	AX1006723	BC 16 / 18, SAE 8
3	AX1006724	BC 16 / 18, SAE 11.5 (2 MM Thickness)
4	AX1005732	BC 16 / 18, SAE 11.5 (3 MM Thickness)
5	AX1006725	UC 22, SAE 8
6	AX1006726	UC 22 / 27, SAE 10 / 11.5
7	AX1006727	HC 4, SAE 11.5
8	AX1006728	HC 4, SAE 14
9	AX1006729	HC 4, DELCO 17.75
10	AX1006730	HC 5, SAE 14
11	AX1006731	HC 5, DELCO 17.75
12	AX1006732	HC 5, SAE 18
13	AX1006733	HC 6, SAE 14
14	AX1006734	HC 6, SAE 18
15	AX1006735	HC 6, DELCO 17.75
16	AX1006736	HC 7, SAE 18

Wound Exciter Components

Sr.	Part Number	Description
1	AX1001043	UC 22 (C & D), EXCITER STATOR
2	AX1001041	UC 22 (C & D), EXCITER ROTOR
3	AX1001044	UC 22 (E, F, G & H), EXCITER STATOR
4	AX1001042	UC 22 (E, F, G & H), EXCITER ROTOR
5	AX1001044	UC 27 (C & D), EXCITER STATOR
6	AX1001042	UC 27 (C & D), EXCITER ROTOR
7	AX1001046	UC 27 (E, F, G & H), EXCITER STATOR
8	AX1001045	UC 27 (E, F, G & H), EXCITER ROTOR
9	AX1001047	HC 4, EXCITER STATOR
10	AX1002155	HC 4, EXCITER ROTOR
11	AX1001051	HC 5, EXCITER STATOR
12	AX1002154	HC 5, EXCITER ROTOR
13	AX1001049	HC 6, EXCITER STATOR
14	AX1001048	HC 6, EXCITER ROTOR

Alternator Rating, Type and Frame Size with Part No

Sr.	Part Number	Alternator Rating and Type	Frame size
1	AX1005133	Alternator, 15 KVA -Single Brg	BC1644D1
2	AX1005134	Alternator, 25 KVA - Single Brg	BC1844F1
3	AX1001318	Alternator, 30 KVA - Single Brg	UC2244C1
4	AX1006098	Alternator, 30 KVA – Single Brg	BC184G1
5	AX1006101	Alternator, 30 KVA – Double Brg	BC184G2
6	AX1006616	Alternator, 30 KVA - Double Brg	UC2244C2
7	AX1006099	Alternator, 35 KVA - Single Brg	BC184H1
8	AX1006102	Alternator, 35 KVA - Double Brg	BC184H2
9	AX1001410	Alternator, 35 KVA - Double Brg	UC2244C2
10	AX1006100	Alternator, 40 KVA - Single Brg	BC184J1
11	AX1006103	Alternator, 40 KVA - Double Brg	BC184J2
12	AX1006176	Alternator, 40 KVA - Double Brg	UC2244C2
13	AX1001412	Alternator, 45 KVA - Single Brg	UC2244D1
14	AX1006077	Alternator, 45 KVA - Double Brg	UC2244D2
15	AX1001413	Alternator, 50 KVA - Single Brg	UC2244D1
16	AX1006078	Alternator, 50 KVA - Double Brg	UC2244D2
17	AX1005135	Alternator, 62.5 KVA – Single Brg	UC2244E1
18	AX1001416	Alternator, 62.5 KVA – Double Brg	UC2244F2
19	AX1001418	Alternator, 75 KVA – Single Brg	UC2244G1
20	AX1006079	Alternator, 75 KVA - Double Brg	UC2244G2
21	AX1005136	Alternator, 82.5 KVA - Single Brg	UC2244G1
22	AX1001419	Alternator, 82.5 KVA - Double Brg	UC2244G2
23	AX1001420	Alternator, 100 KVA - Single Brg	UC2744C1
24	AX1006080	Alternator, 100 KVA - Double Brg	UC2744C2
25	AX1005479	Alternator, 100 KVA - Double Brg – Marine	UCM2734E2
26	AX1001421	Alternator, 110 KVA - Single Brg	UC2744D1
27	AX1006081	Alternator, 110 KVA - Double Brg	UC2744D2
28	AX1005137	Alternator, 125 KVA – Single Brg	UC2744E1
29	AX1001422	Alternator, 125 KVA – Double Brg	UC2744E2
30	AX1001423	Alternator, 140 KVA - Single Brg	UC2744E1
31	AX1006082	Alternator, 140 KVA - Double Brg	UC2744E2
32	AX1005654	Alternator, 140 KVA PMG with MX 321 - Double Brg	UC2744E2
33	AX1001424	Alternator, 160 KVA - Single Brg	UC2744F1
34	AX1006083	Alternator, 160 KVA - Double Brg	UC2744F2
35	AX1001429	Alternator, 170 KVA - Single Brg	HC444C1
36	AX1001426	Alternator, 180 KVA -Single Brg	UC2744H1
37	AX1006084	Alternator, 180 KVA - Double Brg	UC2744H2

Alternator Rating, Type and Frame Size with Part No

Sr.	Part Number	Alternator Rating and Type	Frame Size
38	AX1005138	Alternator, 200 KVA - Single Brg	UC2744H1
39	AX1001427	Alternator, 200 KVA - Double Brg	UC2744H2
40	AX1005370	Alternator, 200 KVA with PMG Exciter - Double Brg	HC634C2
41	AX1006085	Alternator, 225 KVA - Double Brg	HC444C2
42	AX1001430	Alternator, 250 KVA - Single Brg	HC444C1
43	AX1006086	Alternator, 250 KVA - Double Brg	HC444C2
44	AX1001431	Alternator, 275 KVA - Single Brg	HC444D1
45	AX1006087	Alternator, 275 KVA - Double Brg	HC444D2
46	AX1001432	Alternator, 285 KVA - Single Brg	HC444E1
47	AX1006088	Alternator, 285 KVA - Double Brg	HC444E2
48	AX1001433	Alternator, 300 KVA - Single Brg	HC444E1
49	AX1006089	Alternator, 300 KVA - Double Brg	HC444E2
50	AX1001434	Alternator, 320 KVA - Single Brg	HC444E1
51	AX1006090	Alternator, 320 KVA - Double Brg	HC444E2
52	AX1005139	Alternator, 380 KVA - Single Brg	HC444F1
53	AX1005140	Alternator, 380 KVA - Double Brg	HC444F2
54	AX1006311	Alternator, 380 KVA - Single Brg HC4F1 with AVR MX321	HC4F1
55	AX1006614	Alternator, 380 KVA - Single Brg 60HZ 460V 1800RPM	HC444F1
56	AX1001437	Alternator, 400 KVA - Single Brg	HC544C1
57	AX1006091	Alternator, 400 KVA - Double Brg	HC544C2
58	AX1001439	Alternator, 437.5 KVA - Single Brg	HC544C1
59	AX1006092	Alternator, 437.5 KVA - Double Brg	HC544C2
60	AX1001440	Alternator, 450 KVA - Single Brg	HC544C1
61	AX1006284	Alternator, 450 KVA - Single Brg 60 HZ 1800 RPM	HC444F1
62	AX1006093	Alternator, 450 KVA - Double Brg	HC544C2
63	AX1001442	Alternator, 500 KVA - Single Brg	HC544D1
64	AX1005695	Alternator, 500 KVA - Double Brg	HC544D2
65	AX1006593	Alternator, 500 KVA with RTD/BTD &Space Heater - Double Brg	HC544D2
66	AX1001444	Alternator, 550 KVA - Single Brg	HC544E1
67	AX1006094	Alternator, 550 KVA - Double Brg	HC544E2
68	AX1001445	Alternator, 600 KVA - Single Brg	HC544E1
69	AX1006095	Alternator, 600 KVA - Double Brg	HC544E2
70	AX1001446	Alternator, 625 KVA - Single Brg	HC544F1
71	AX1005141	Alternator, 625 KVA - Double Brg	HC544F2
72	AX1001448	Alternator, 750 KVA - Single Brg	HC634W1
73	AX1006096	Alternator, 750 KVA - Double Brg	HC634W2

Alternator Rating, Type and Frame Size with Part No

Sr.	Part Number	Alternator Rating and Type	Frame Size
74	AX1005586	Alternator, 750 KVA - RTD BTD Controls	HC634W
75	AX1005142	Alternator, 1000 KVA - Single Brg	HC634Y1
76	AX1005143	Alternator, 1000 KVA - Double Brg	HC634Y2
77	AX1005378	Alternator, 1000 KVA with RTD/BTD and Spacer Heaters - Double Brg	H64Y2/-C
78	AX1002979	Alternator, 1250 KVA - Single Brg	HCK634Z1
79	AX1006097	Alternator, 1250 KVA - Double Brg	HCK634Z2
80	AX1006291	Alternator, 1500 KVA - Double Brg	P734C2
81	AX1006572	Alternator, 2000 KVA - Double Brg	HC7H2

82	4104966	Alternator, 15 KVA Single Phase	BC1844F1
83	4105353	Alternator, 20 KVA Single Phase	BC1844G1
84	4104967	Alternator, 25 KVA Single Phase	BC1844J1

Indexing on Part No

Part #	Page #	Part #	Page #	Part #	Page #
AX1001007	6, 10, 12, 14, 41	AX1001079	20, 22	AX1005134	44
AX1001008	14, 41	AX1001082	24, 26	AX1005135	44
AX1001009	16, 18, 41	AX1001083	28, 30	AX1005136	44
AX1001010	18, 41	AX1001318	44	AX1005137	44
AX1001011	39	AX1001410	44	AX1005138	45
AX1001016	12, 14, 16, 18	AX1001412	44	AX1005139	45
AX1001017	39	AX1001413	44	AX1005140	45
AX1001018	39	AX1001416	44	AX1005141	45
AX1001019	20, 22	AX1001418	44	AX1005142	46
AX1001020	20, 22, 26	AX1001419	44	AX1005143	46
AX1001021	39	AX1001420	44	AX1005366	42
AX1001022	24, 26	AX1001421	44	AX1005370	45
AX1001027	39	AX1001422	44	AX1005378	46
AX1001028	39	AX1001423	44	AX1005478	39
AX1001031	39	AX1001424	44	AX1005479	44
AX1001032	39	AX1001426	44	AX1005520	4, 6, 8, 10
AX1001033	39	AX1001427	45	AX1005586	46
AX1001035	30	AX1001429	44	AX1005647	41
AX1001036	28, 30	AX1001430	45	AX1005648	41
AX1001037	26	AX1001431	45	AX1005649	41
AX1001038	24, 26	AX1001432	45	AX1005650	41
AX1001039	22	AX1001433	45	AX1005651	41
AX1001040	20, 22	AX1001434	45	AX1005652	41
AX1001041	43	AX1001437	45	AX1005653	41
AX1001042	43	AX1001439	45	AX1005654	44
AX1001043	20	AX1001440	45	AX1005659	42
AX1001044	43	AX1001442	45	AX1005660	42
AX1001045	43	AX1001444	45	AX1005661	42
AX1001046	43	AX1001445	45	AX1005662	42
AX1001047	43	AX1001446	45	AX1005663	42
AX1001048	43	AX1001448	45	AX1005664	42
AX1001049	43	AX1002152	28, 30, 32	AX1005665	42
AX1001051	43	AX1002154	43	AX1005666	42
AX1001053	39	AX1002155	43	AX1005695	45
AX1001054	28, 30, 32, 36, 38, 39	AX1002577	4, 6, 8, 10	AX1005732	43
AX1001055	12, 14, 16, 18, 20, 22, 24, 26, 39	AX1002578	4, 6, 8, 10, 41	AX1006017	28, 30, 44
AX1001056	12, 14, 16, 18, 39	AX1002579	4, 6, 8, 10, 41	AX1006077	44
AX1001057	39	AX1002580	39	AX1006078	44
AX1001059	4, 6, 8, 10, 12, 14, 16, 18, 39	AX1002581	4, 6, 8, 10, 39	AX1006079	44
AX1001060	20, 22, 24, 26, 39	AX1002589	42	AX1006080	44
AX1001061	28, 30, 32, 34, 39	AX1002590	42	AX1006081	44
AX1001063	20, 22, 40	AX1002591	42	AX1006082	44
AX1001064	28, 30, 32, 34, 40	AX1002636	42	AX1006083	44
AX1001065	24, 26, 40	AX1002637	42	AX1006084	44
AX1001066	40	AX1002638	42	AX1006085	45
AX1001067	40	AX1002641	42	AX1006086	45
AX1001068	40	AX1002642	42	AX1006087	45
AX1001069	40	AX1002979	46	AX1006088	45
AX1001070	12, 14	AX1004938	32, 34	AX1006089	45
AX1001071	16, 18	AX1005133	44	AX1006090	45

Indexing on Part No

Part #	Page #	Part #	Page #
AX1006091	45	AX1006702	42
AX1006092	45	AX1006703	42
AX1006093	45	AX1006704	42
AX1006094	45	AX1006705	42
AX1006095	45	AX1006706	42
AX1006096	45	AX1006707	42
AX1006097	46	AX1006708	42
AX1006098	44	AX1006709	42
AX1006099	44	AX1006710	42
AX1006100	44	AX1006711	42
AX1006101	44	AX1006712	42
AX1006102	44	AX1006713	42
AX1006103	44	AX1006714	42
AX1006176	44	AX1006715	42
AX1006284	45	AX1006716	42
AX1006291	46	AX1006717	42
AX1006311	45	AX1006718	42
AX1006328	4, 6, 8, 10	AX1006719	42
AX1006408	4, 6, 8, 10	AX1006720	42
AX1006428	4, 6, 8, 10	AX1006721	42
AX1006477	42	AX1006722	43
AX1006572	46	AX1006723	43
AX1006573	12, 14, 16, 18	AX1006724	43
AX1006593	45	AX1006725	43
AX1006614	45	AX1006726	43
AX1006616	44	AX1006727	43
AX1006678	4, 6, 8, 10	AX1006728	43
AX1006679	4, 6, 8, 10	AX1006729	43
AX1006680	12, 14, 16, 18, 41	AX1006730	43
AX1006681	36, 38, 40	AX1006731	43
AX1006682	36, 38	AX1006732	43
AX1006683	36, 38	AX1006733	43
AX1006684	36, 38	AX1006734	43
AX1006685	36, 38	AX1006735	43
AX1006686	32, 34	AX1006736	43
AX1006687	36, 38	AX1006737	39
AX1006688	38		
AX1006689	38		
AX1006690	38		
AX1006691	38		
AX1006692	34		
AX1006693	36, 38		
AX1006694	38		
AX1006695	38		
AX1006696	40		
AX1006697	42		
AX1006698	42		
AX1006699	42		
AX1006700	42		
AX1006701	42		

Best in Class Cummins Service Network



- CIL Factory
- CS&S Offices
- Dealer locations (Multiple Service Branches)
- Parts Distribution Centre
- CS&S Parts Depots
- ReCon Centres

Map not to scale



Cummins Sales and Service (I) Limited
 35A/1/2, Erandawana, Pune 411 038 - India.
 Phone : +91-20-2543 1234, 2543 0066

Bulletin No: AX1006675-00
 Release Date: Jan-07

*For BSNL / MTNL lines